



SERVICE MANUAL ADDENDUM

IC-F210 IC-F211 IC-F221

CONTENTS

PARTS LIST	1
MECHANICAL PARTS	7
BOARD LAYOUTS	8
VOLTAGE DIAGRAM	10

[MAIN UNIT]

Table with columns: REF NO., ORDER NO., DESCRIPTION, M., H/V LOCATION. Contains items C113 through C248 with various part numbers and descriptions like S.CER C1608 CH 1H 0R5B-T.

[MAIN UNIT]

Table with columns: REF NO., ORDER NO., DESCRIPTION, M., H/V LOCATION. Contains items C249 through C366 with various part numbers and descriptions like S.CER C1608 JB 1H 222K-T.

*: [GEN-02] for IC-F211

M.=Mounted side (T: Mounted on the Top side, B: Mounted on the Bottom side)

S.=Surface mount

[MAIN UNIT]

REF NO.	ORDER NO.	DESCRIPTION	M.	H/V LOCATION
C367	4030009540	S.CER C1608 CH 1H 1R5B-T	B	65.8/29.1
C370	4030009520	S.CER C1608 CH 1H 020B-T		
		[EUR-01], [GEN-01]	T	87.6/59.9
	4030009540	S.CER C1608 CH 1H 1R5B-T		
		[EUR-42], [GEN-02], [GEN-02*], [USA-02]	T	87.6/59.9
	4030009550	S.CER C1608 CH 1H 2R5B-T	T	87.6/59.9
		[EUR-02]		
C372	4030007110	S.CER C1608 CH 1H 680J-T	B	23.4/50.3
C373	4030011600	S.CER C1608 JB 1E 104K-T	T	61.2/31.9
C374	4030011600	S.CER C1608 JB 1E 104K-T	T	58.2/32.5
C375	4030007080	S.CER C1608 CH 1H 390J-T	T	82.1/49.7
C376	4030007160	S.CER C1608 CH 1H 181J-T	T	83.4/49.7
C377	4030007160	S.CER C1608 CH 1H 181J-T	T	86.6/34
C378	4030017670	S.CER ECJ0EC1H390J	T	115/26
C379	4030017670	S.CER ECJ0EC1H390J	T	115/24
C380	4030017670	S.CER ECJ0EC1H390J	T	117.2/7.5
C381	4030007160	S.CER C1608 CH 1H 181J-T	T	132/69.1
C382	4030007080	S.CER C1608 CH 1H 390J-T	T	132/67.8
C383	4030007050	S.CER C1608 CH 1H 220J-T	B	118.6/59.5
C384	4030007020	S.CER C1608 CH 1H 120J-T	B	117.3/59.5
C385	4030006980	S.CER C1608 CH 1H 070D-T	B	112.2/59.5
C386	4030007160	S.CER C1608 CH 1H 181J-T	B	87.8/48.2
C387	4030007160	S.CER C1608 CH 1H 181J-T	B	82.8/36
C388	4030007160	S.CER C1608 CH 1H 181J-T	B	121.9/6.2
C389	4030011770	S.CER C1608 CH 1H 060B-T	B	88.6/38.4
C390	4030017460	S.CER ECJ0EB1E102K	T	115.2/19.4
C391	4030017420	S.CER ECJ0EC1H470J	T	113.4/16.7
C392	4030006860	S.CER C1608 JB 1H 102K-T	T	123.7/66.5
C393	4030009560	S.CER C1608 CH 1H R75B-T		
		Except [EUR-01], [GEN-01]	B	20.2/43.4
	4030009910	S.CER C1608 CH 1H 040B-T		
		[EUR-01], [GEN-01]	B	20.2/43.4
C394	4030008770	S.CER C1608 JB 1H 562K-T	B	93.5/14.4
C395	4030009910	S.CER C1608 CH 1H 040B-T		
		[EUR-02], [EUR-42]		
J1	6510018430	S.CNR AXN330C038P	T	23/8.3
J2	6510022470	S.CNR 40FLT-SM1-TB	T	67.5/10.6
J4	6450000140	CNR HSJ0807-01-010		
J6	6510019250	S.CNR B11B-ZR-SM3-TF	T	120.7/16
J7	6510014960	S.CNR B2B-ZR-SM3-TF	T	130.5/25.5
W1	7120000470	JMP ERDS2T0		
W2	8900011861	CBL OPC-1195A		
W3	7030000010	S.RES MCR10EZHZ JPW (000)	T	113.1/18.5
W4	7030003860	S.RES ERJ3GE JPW V	T	58.7/48.9
W5	7030010040	S.RES ERJ2GEJ-JPW	T	57.1/17.6
EP1	6910013370	S.BEA BLM18BB221SN1D	T	106/30.2
EP3	6910011560	BEA HF70BB4.5X5X1		
EP4	6910010280	BEA HF70BB9.5X10.4X4.9		
EP5	6910010280	BEA HF70BB9.5X10.4X4.9		

M.=Mounted side (T: Mounted on the Top side, B: Mounted on the Bottom side)
S.=Surface mount

MECHANICAL PARTS

[CHASSIS PARTS]

REF NO.	ORDER NO.	DESCRIPTION	QTY.
J1	6510004880	MR-DSE-01	1
W1	8900011800	OPC-1199	1
MP1	8010019063 8010019133	2601 CHASSIS-3 [Others] 2601 LONG CHASSIS-3 [GEN-02], [USA-02], [GEN-01]	1
MP2	8110007821	2601 COVER-1	1
MP3	8210019340	2622 FRONT PANEL	1
MP4	8930059010	2622 KEYBOARD	1
MP5	8930059090	2622 LCD PLATE	1
MP6	8210019350	2622 REFLECTOR	1
MP7	8610011180	Knob N-292	1
MP8	8610007420	Knob spring NO.6601	1
MP9	8810008661	Screw BT B0 3X8 NI-ZC3 (BT)	8
MP10	8810008661	Screw BT B0 3X8 NI-ZC3 (BT)	2
MP11	8810008661	Screw BT B0 3X8 NI-ZC3 (BT)	2
MP12	8810008761	Screw BT B0 2X8 NI-ZC3 (BT)	3
MP13	8810008661	Screw BT B0 3X8 NI-ZC3 (BT)	1
MP14	8810009991	Screw BT B0 3X8 NI-ZK3 (BT)	4
MP15	8810009991	Screw BT B0 3X8 NI-ZK3 (BT)	2
MP16	8930059100	2622 LCD FILTER	1
MP17	8930059000	2601 SP NET	1
MP18	8930058990	Shield sponge (V) [EUR-02], [EUR-42], [GEN-02], [EUR-01] only	2

[FRONT UNIT]

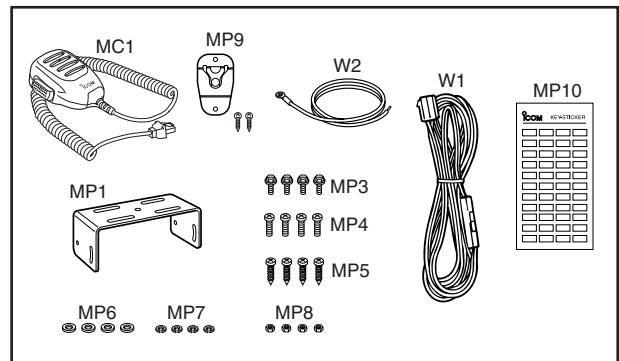
REF NO.	ORDER NO.	DESCRIPTION	QTY.
J1	6450002210	3017-8821	1
DS11	5030002720	L2-0607TAY-1	1
SP1	2510001221	C052SB500-14	1
W1	8900010503	OPC-1046B-1	1
EP2	8930059170	SRCN-2622-SP-N-W	1
MP2	8510015290	2623 F-SHIELD	1
MP3	8930058840	Shield sponge (T)	1

[MAIN UNIT]

REF NO.	ORDER NO.	DESCRIPTION	QTY.
J4	6450000140	HSJ0807-01-010	1
W1	7120000470	ERDS2T0	1
W2	8900011862	OPC-1195B	1
EP3	6910011560	HF70BB4.5X5X1.6	2
EP4	6910010280	HF70BB9.5X10.4X4.9	1
EP5	6910010280	HF70BB9.5X10.4X4.9	1
MP1	8510005070	599 Sheild plate	1
MP2	8510011230	1923 VCO SHIELD [EUR-02], [EUR-42], [GEN-02], [EUR-01] only	1
MP3	8930058840	Shield sponge (T)	1
MP5	8510014950	2601 VCO COVER	1
MP6	8510014910	2601 FILTER CASE	1
MP7	8510015110	2602 M-PLATE	1
MP8	8930058990	Shield sponge (V)	1
MP10	8930059490	2602 SPRING [EUR-02], [EUR-42], [GEN-02], [EUR-01] only	1
MP11	8510000210	194 Sheild plate [EUR-02], [EUR-42], [GEN-02], [EUR-01] only	1
MP12	8930059390	Shield sponge (Y) [EUR-02], [EUR-42], [GEN-02], [EUR-01] only	1
MP13	8930058840	Shield sponge (T)	1

[ACCESSORIES]

REF NO.	ORDER NO.	DESCRIPTION	QTY.
MC1	Optional product	HM-152	1
W1	Optional product	OPC-1194A [Others]	1
	Optional product	OPC-1132 [GEN-02], [USA-02], [GEN-01]	1
W2	8900000730	OPC-049	1
MP1	8010019151	2601 MOBIL BRACKET-1	1
MP2	8930059160	2601 FELT	2
MP3	8820000530	Flange bolt M4X8 NI	4
MP4	8810000471	Screw PH (+-) M5X12 ZC3	4
MP5	8810005841	Screw BT A0 5X20 ZC3	4
MP6	8850000150	Flat washer M5 BS NI	4
MP7	8850000391	SPRING WASHER M5 ZC3	4
MP8	8830000121	Nut M5 ZC3	4
MP9	8950005110	2289 MIC HANGER	1
MP10	8310054770	1705 LCD SEAL (F)	1
MP11	8810004700	Screw BT A0 3X16 SUS	2

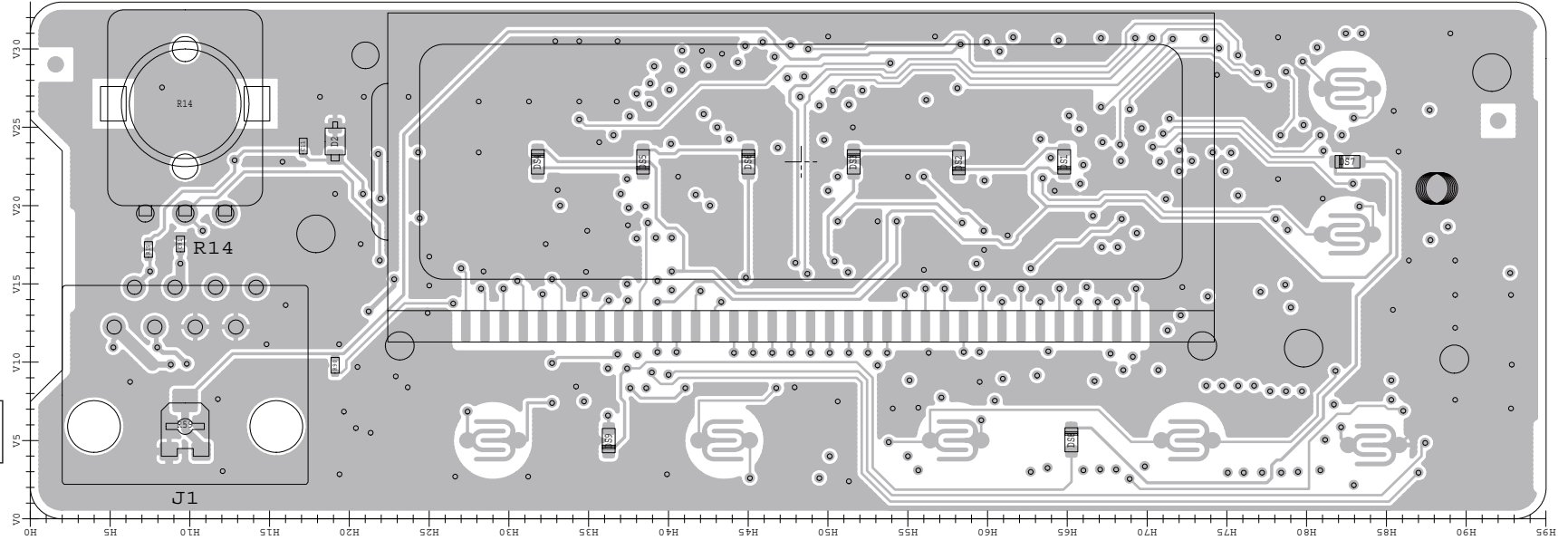


BOARD LAYOUTS

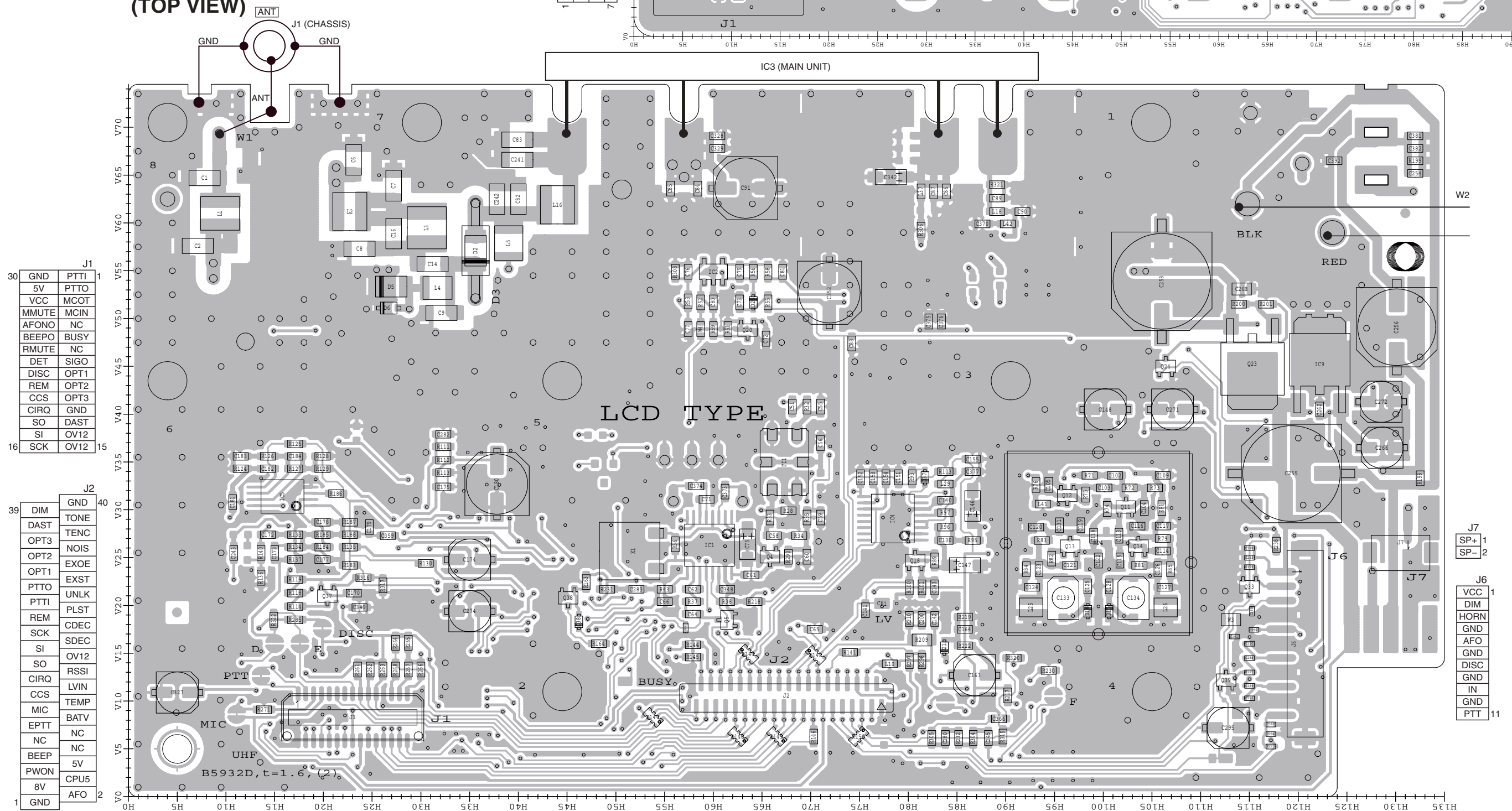
The combination of this side and the bottom side shows the board layout in the same configuration as the actual P.C.Board.

• FRONT UNIT (TOP VIEW)

1	8V	2	CLO
3	AFO	4	PTT
5	MICE	6	MIC
7	GND	8	CLI



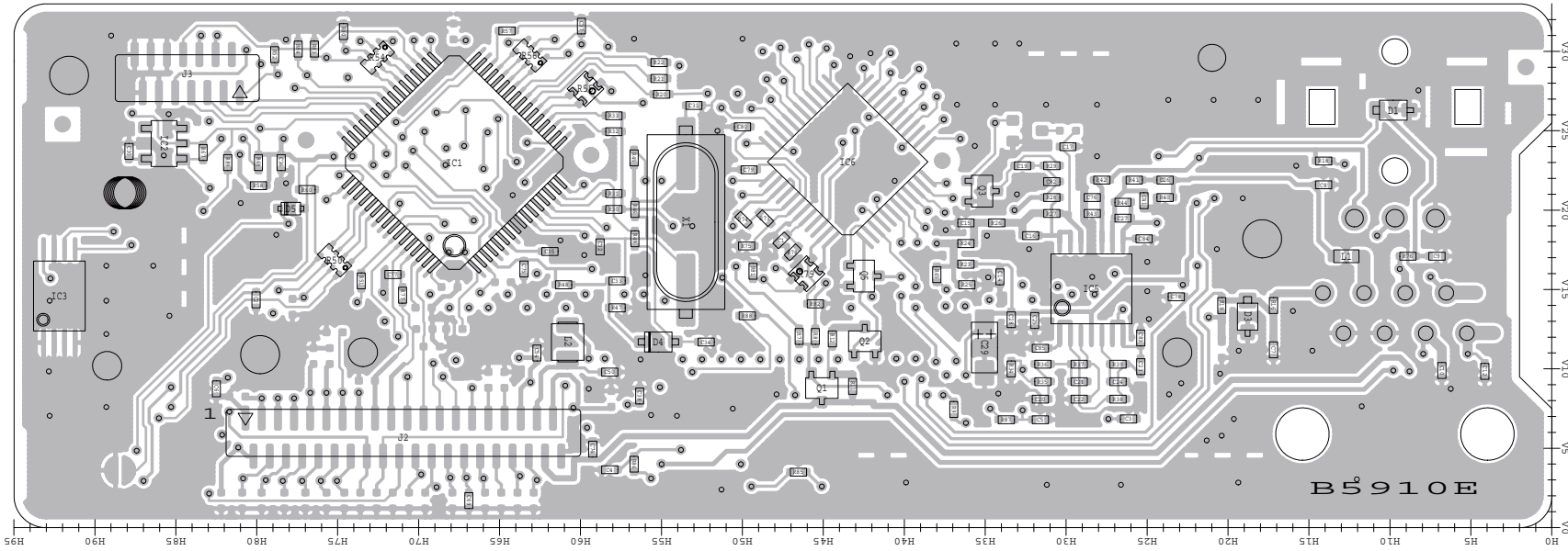
• MAIN UNIT (TOP VIEW)



30	GND	PTTI	1
31	5V	PTTO	2
32	VCC	MCOT	3
33	MMUTE	MCIN	4
34	AFONO	NC	5
35	BEEPO	BUSY	6
36	RMUTE	NC	7
37	DET	SIGO	8
38	DISC	OPT1	9
39	REM	OPT2	10
40	CCS	OPT3	11
41	CIRQ	GND	12
42	SO	DAST	13
43	SI	OV12	14
44	SCK	OV12	15

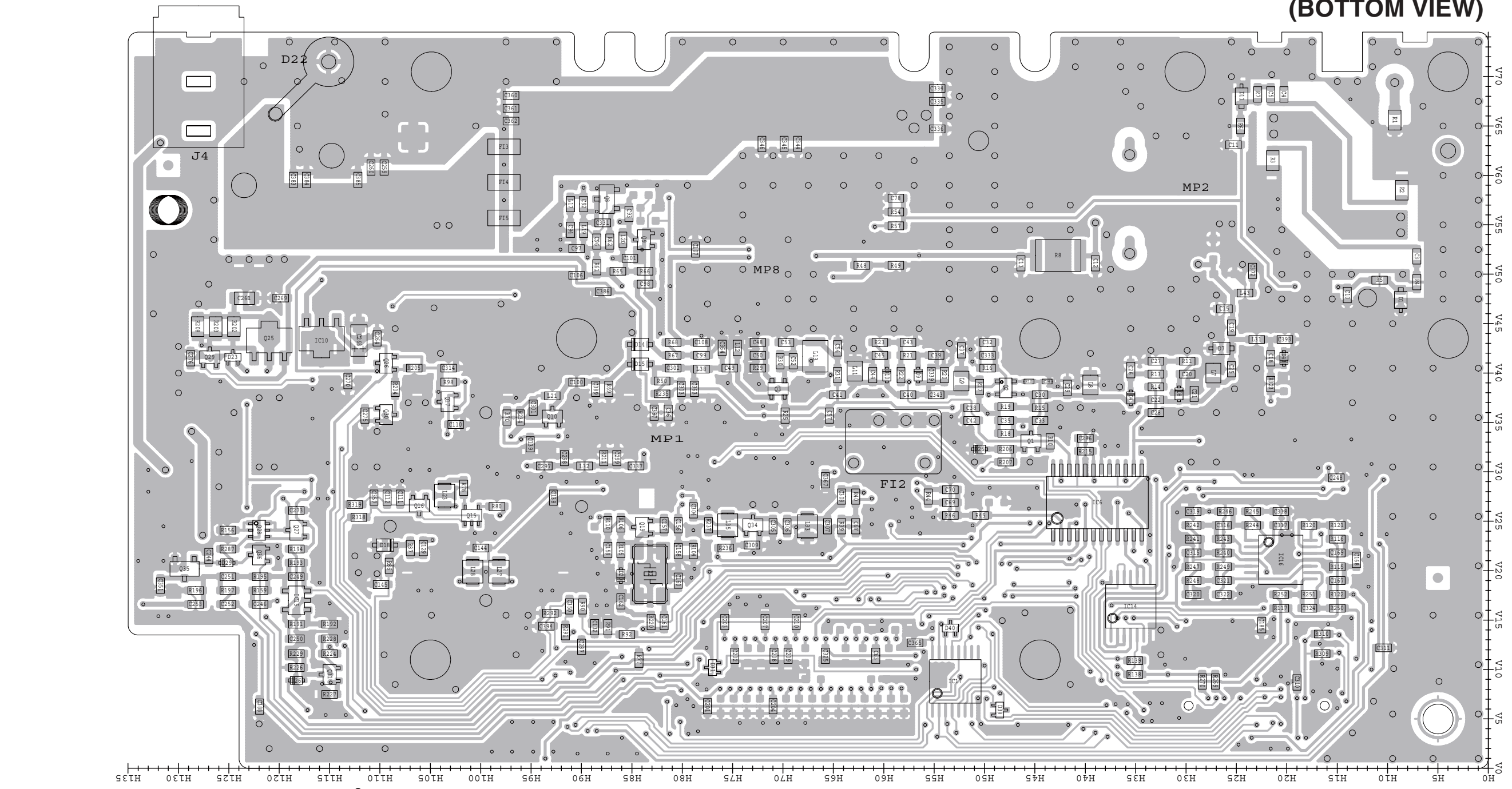
39	DIM	GND	40
40	DAST	TO NE	41
41	OPT3	TENC	42
42	OPT2	NOIS	43
43	OPT1	EXOE	44
44	PTTO	EXST	45
45	PTTI	UNLK	46
46	REM	PLST	47
47	SCK	CDEC	48
48	SI	SDEC	49
49	SO	OV12	50
50	CIRQ	RSSI	51
51	CCS	LVIN	52
52	MIC	TEMP	53
53	EPTT	BATV	54
54	NC	NC	55
55	NC	NC	56
56	BEEP	5V	57
57	PWON	CPU5	58
58	8V	AFO	59
59	GND		60

J7	SP+	1
J7	SP-	2
J6	VCC	1
J6	DIM	2
J6	HORN	3
J6	GND	4
J6	AFO	5
J6	GND	6
J6	DISC	7
J6	GND	8
J6	IN	9
J6	GND	10
J6	PTT	11



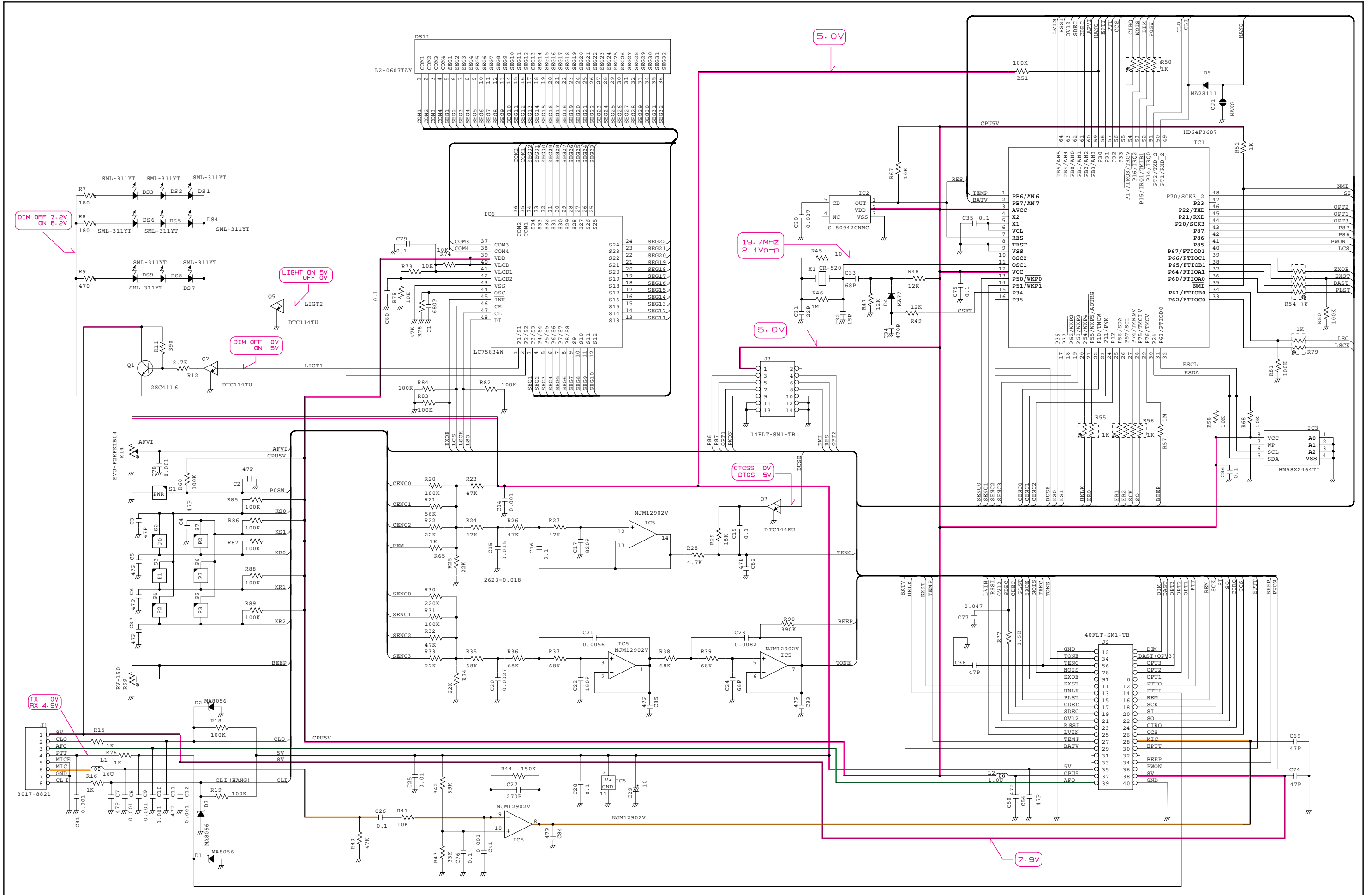
• FRONT UNIT
(BOTTOM VIEW)

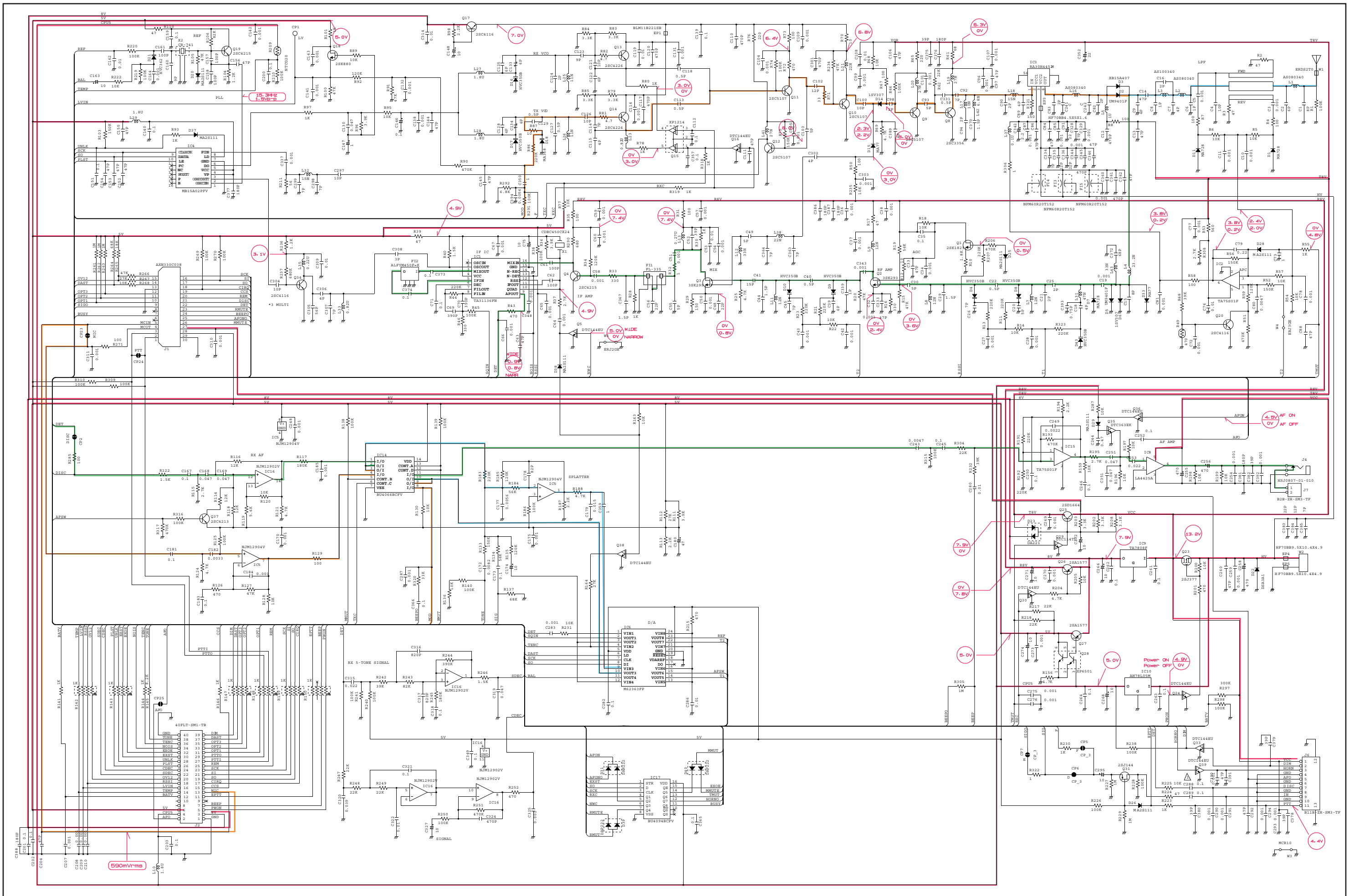
The combination of this side and the bottom side shows the board layout in the same configuration as the actual P.C.Board.



• MAIN UNIT
(BOTTOM VIEW)

VOLTAGE DIAGRAM







SERVICE MANUAL

UHF TRANSCEIVER

IC-F210
IC-F211
IC-F221

INTRODUCTION

This service manual describes the latest service information for the **IC-F210, IC-F211, IC-F221** UHF TRANSCEIVERS at the time of publication.

MODEL	VERSION	SYMBOL
IC-F210	Europe	[EUR-01]
		[EUR-02]
		[EUR-42]
IC-F211	General	[GEN-02]
IC-F221		[USA-02]

To upgrade quality, any electrical or mechanical parts and internal circuits are subject to change without notice or obligation.

CAUTION

NEVER connect the transceiver to an AC outlet or to a DC power supply that uses more than 16 V. This will ruin the transceiver.

DO NOT reverse the polarities of the power supply when connecting the transceiver.

DO NOT apply an RF signal of more than 20 dBm (100 mW) to the antenna connector. This could damage the transceiver's front end.



ORDERING PARTS

Be sure to include the following four points when ordering replacement parts:

1. 10-digit order numbers
2. Component part number and name
3. Equipment model name and unit name
4. Quantity required

<SAMPLE ORDER>

1110003491 S.IC TA31136FNG IC-F210 MAIN UNIT 5 pieces
8510014910 MP6 2601 FILTER CASE IC-F210 MAIN UNIT 5 pieces

Addresses are provided on the inside back cover for your convenience.

REPAIR NOTES

1. Make sure a problem is internal before disassembling the transceiver.
2. **DO NOT** open the transceiver until the transceiver is disconnected from its power source.
3. **DO NOT** force any of the variable components. Turn them slowly and smoothly.
4. **DO NOT** short any circuits or electronic parts. An insulated tuning tool **MUST** be used for all adjustments.
5. **DO NOT** keep power ON for a long time when the transceiver is defective.
6. **DO NOT** transmit power into a signal generator or a sweep generator.
7. **ALWAYS** connect a 50 dB to 60 dB attenuator between the transceiver and a deviation meter or spectrum analyzer when using such test equipment.
8. **READ** the instructions of test equipment thoroughly before connecting equipment to the transceiver.

EXPLICIT DEFINITIONS

FREQUENCY COVERAGE

Low band	400–430 MHz
Middle band	440–490 MHz

CHANNEL SPACING

Wide/Narrow-type	12.5 kHz/ 25.0 kHz
Middle/Narrow-type	12.5 kHz/ 20.0 kHz

TABLE OF CONTENTS

SECTION 1	SPECIFICATIONS	
SECTION 2	INSIDE VIEW	
SECTION 3	DISASSEMBLY INSTRUCTIONS	
SECTION 4	CIRCUIT DESCRIPTION	
4 - 1	RECEIVER CIRCUITS	4 - 1
4 - 2	TRANSMITTER CIRCUITS	4 - 2
4 - 3	PLL CIRCUITS	4 - 3
4 - 4	POWER SUPPLY CIRCUITS	4 - 4
4 - 5	PORT ALLOCATIONS	4 - 4
SECTION 5	ADJUSTMENT PROCEDURES	
5 - 1	PREPARATION	5 - 1
5 - 2	PLL ADJUSTMENT	5 - 4
5 - 3	SOFTWARE ADJUSTMENT	5 - 5
5 - 4	TRIMMER ADJUSTMENT	5 - 7
SECTION 6	PARTS LIST	
SECTION 7	MECHANICAL PARTS AND DISASSEMBLY	
SECTION 8	SEMI-CONDUCTOR INFORMATION	
SECTION 9	BOARD LAYOUTS	
9 - 1	FRONT UNIT	9 - 1
9 - 2	MAIN UNIT	9 - 3
SECTION 10	BLOCK DIAGRAM	
SECTION 11	VOLTAGE DIAGRAMS	
11 - 1	FRONT UNIT	11 - 1
11 - 2	MAIN UNIT	11 - 2

SECTION 1 SPECIFICATIONS

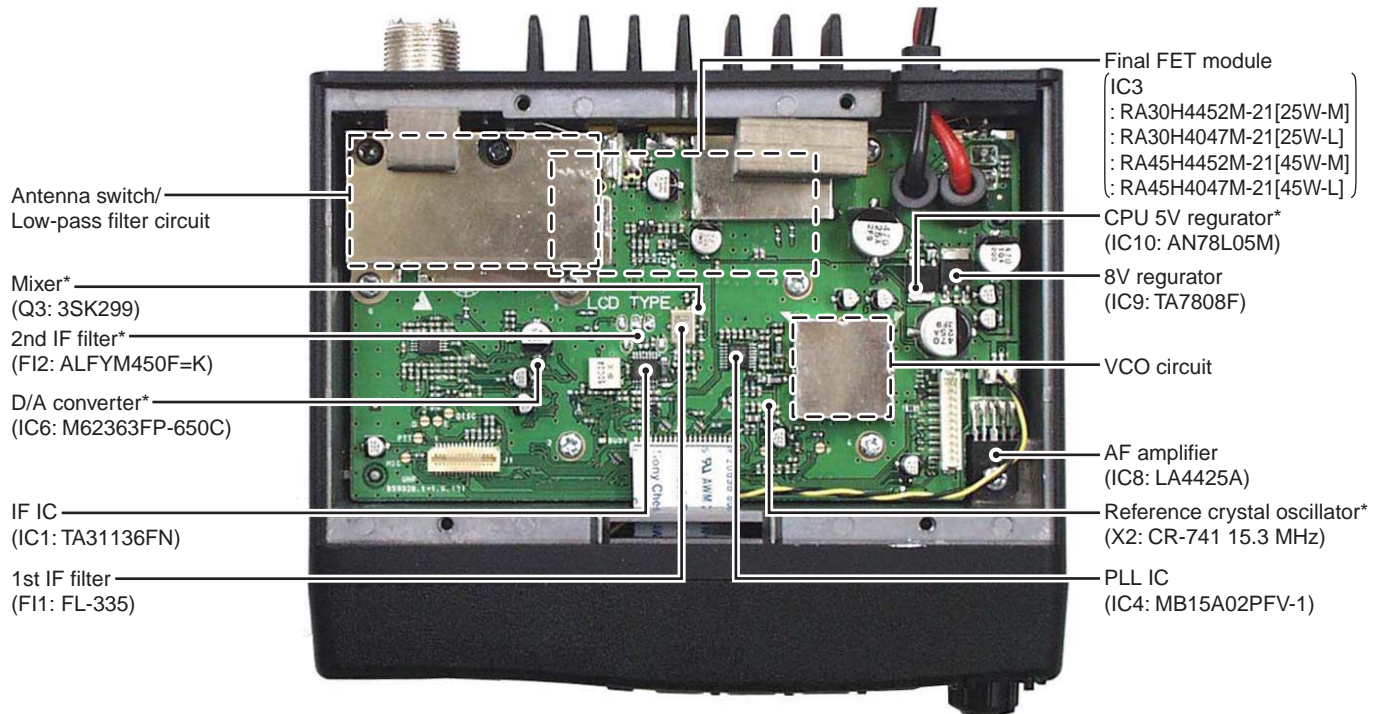
		[GEN], [USA]	[EUR]
GENERAL	Measurement method	EIA-152-C/204D or TIA-603	ETS 300 086
	Frequency coverage ^{*1}	400.000–430.000 MHz or 440.000–490 MHz	
	Type of emission	N/W: (12.5 kHz; Narrow/25 kHz; Wide): 8K50F3E/16K0F3E (12.5 kHz; Narrow/25 kHz; Wide): 8K50F3E/16K0F3E N/M (12.5 kHz; Narrow/20 kHz; Middle): 8K50F3E/14K0F3E	[EUR] [USA], [GEN] [EUR]
	Number of conventional channels	maximum 128 channels	
	Antenna impedance	50 Ω nominal (SO-239)	
	Power supply voltage (negative ground)	13.6 V DC nominal	13.2 V DC nominal
	Current drain (approx.)	TX; 7.0 A (at 25 W), 13.0 A (at 45 W) Rx; 1200 mA (maximum audio) 300 mA (stand-by)	
	Usable temperature range	–30°C to +60°C (–22°F to +140°F)	–25°C to +55°C
	Dimensions (proj. not included)	150(W) × 40(H) × 117.5(D) mm; 5 ²⁹ / ₃₂ (W) × 4 ⁹ / ₁₆ (H) × 4 ⁵ / ₈ (D) inch [25 W] 150(W) × 40(H) × 167.5(D) mm; 5 ²⁹ / ₃₂ (W) × 4 ⁹ / ₁₆ (H) × 6 ¹⁹ / ₃₂ (D) inch [45 W]	
	Weight	0.8 kg; 1 lb 12 oz [25 W], 1.1 kg; 2 lb 7 oz [45 W]	
TRANSMITTER	RF output power	High/Low2/Low1: 25 W/10 W/2.5 W [25 W] High/Low2/Low1: 45 W/25 W/ 5 W [45 W]	
	Modulation system	Variable reactance frequency modulation	
	Maximum permissible deviation	±2.5 kHz [Narrow], ±4.0 kHz [Middle], ±5.0 kHz [Wide]	
	Frequency error	±2.5 ppm	±1.5 kHz
	Spurious emissions	70 dB (typical)	0.25 μW ≤ 1GHz, 1.0 μW > 1 GHz
	Adjacent channel power	60 dB minimum [Narrow]; 70 dB minimum [Middle], [Wide]	
	Audio frequency response	+2 dB to –5 dB of 6 dB/octave Range from 300 Hz to 2550 Hz [Narrow] / 3000 Hz [Middle], [Wide]	
	Audio harmonic distortion	3% typical at 1 kHz (40% deviation)	
	FM hum and noise (typical) (without CCITT filter)	34 dB (min.), 40 dB (typ.) [Narrow] 40 dB (min.), 46 dB (typ.) [Wide]	—
	Residual modulation (typical) (with CCITT filter)	—	40 dB (min.), 50 dB (typ.) [Narrow] 43 dB (min.), 53 dB (typ.) [Middle] 45 dB (min.), 55 dB (typ.) [Wide]
	Limiting charact of modulator	70 – 100% of maximum deviation	
	Microphone connector	8-pin modular (impedance: 600 Ω)	
	RECEIVER	Receive system	Double-conversion superheterodyne system
Intermediate frequencies		1st: 46.35 MHz, 2nd: 450 kHz	
Sensitivity (typical)		0.25 μV typical at 12 dB SINAD	–4 dBμV (emf) typical at 20 dB SINAD
Squelch sensitivity (at threshold)		0.25 μV typical	–4 dBμV (emf) typical
Hum and noise ^{*2}		34 dB (min.), 40 dB (typ.) [Narrow] 40 dB (min.), 45 dB (typ.) [Wide]	40 dB (min.), 50 dB (typ.) [Narrow] 43 dB (min.), 53 dB (typ.) [Middle] 45 dB (min.), 55 dB (typ.) [Wide]
Adjcent channel selectivity		60 dB (min.), 65 dB (typ.) 70 dB (min.), 75 dB (typ.)	[Narrow] [Middle]/[Wide]
Spurious response		75 dB	
Intermoduration		70 dB (min.), 75 dB (typ.)	65 dB (min.), 67 dB (typ.)
Audio output power		4.0 W typical at 10% distortion with a 4 Ω load	
External SP connector		2-conductor 3.5 (d) mm (1/8")/impedance: 4 Ω	

*1: depended on versions.

*2: [EUR] is measured with CCITT filter, [USA] and [GEN] are measured without CCITT filter.

All stated specifications are subject to change without notice or obligation.

SECTION 2 INSIDE VIEW

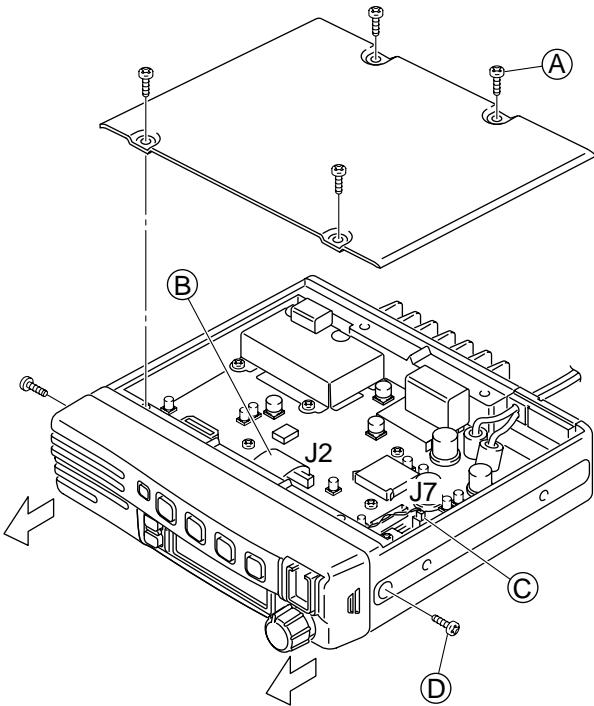


* Located under side of the point.

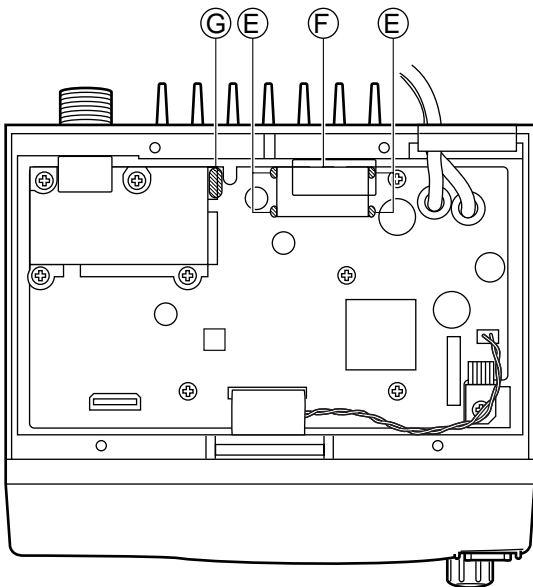
SECTION 3 DISASSEMBLY INSTRUCTIONS

• Opening case and removing the front unit

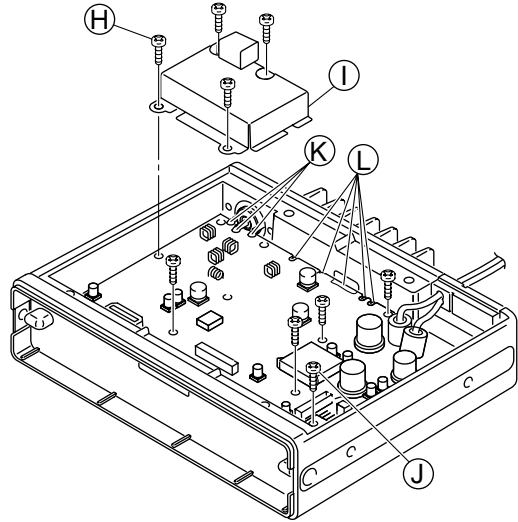
- ① Unscrew 4 screws (A), and remove the bottom cover.
- ② Disconnect the flat cable (B) from J2.
- ③ Disconnect the cable (C) from J7.
- ④ Unscrew 2 screws (D), and remove the front unit.



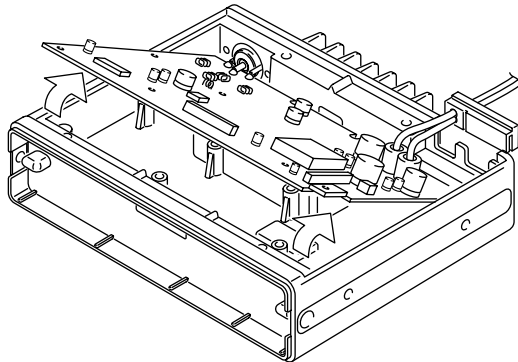
- ⑤ Unsolder 4 points (E), and remove the plate (F).
- ⑥ Unsolder the point (G).



- ⑦ Unscrew 8 screws (H).
- ⑧ Remove the filter case (I).
- ⑨ Unscrew the screw (J).
- ⑩ Unsolder 3 points (K) from the antenna connector.
- ⑪ Unsolder 4 points (L) from IC3.

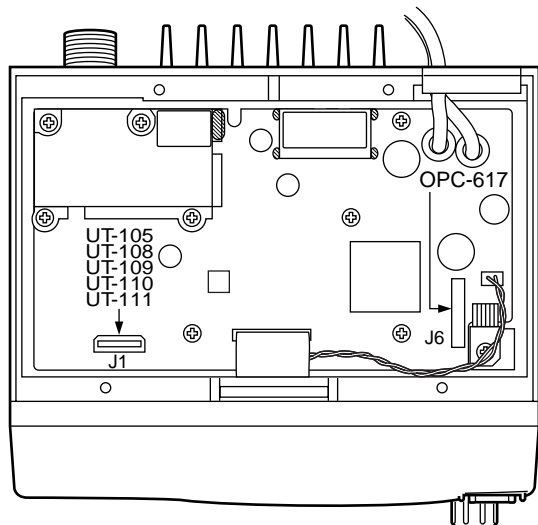


- ⑫ Lift up the front portion of the main unit and remove it.



• Installation location

- | | |
|---------|--|
| UT-105 | SmarTrunk 2™ logic board |
| UT-108 | DTMF decoder unit |
| UT-109 | Voice scrambler unit |
| UT-110 | |
| UT-111 | Trunking unit |
| OPC-617 | ACC cable (for external terminal connection) |



SECTION 4 CIRCUIT DESCRIPTION

4-1 RECEIVER CIRCUITS

4-1-1 ANTENNA SWITCHING CIRCUIT (MAIN UNIT)

The antenna switching circuit functions as a low-pass filter while receiving and as resonator circuit while transmitting. This circuit does not allow transmit signals to enter the receiver circuits.

Received signals enter the antenna connector and pass through the low-pass filters (L1–L3, C1, C2, C6–8). The filtered signals are then applied to the RF circuit passed through the $\lambda/4$ type antenna switching circuit (D5–D7, D48, L4, L6).

4-1-2 RF CIRCUIT (MAIN UNIT)

The RF circuit amplifies signals within the range of frequency coverage and filters out-of-band signals.

The signals from the antenna switching circuit pass through the two-stage tunable bandpass filters (D8, D4). The filtered signals are amplified at the RF amplifier (Q2) and then enter other two-stage bandpass filters (D9, D10) to suppress unwanted signals. The filtered signals are applied to the 1st mixer circuit (Q3).

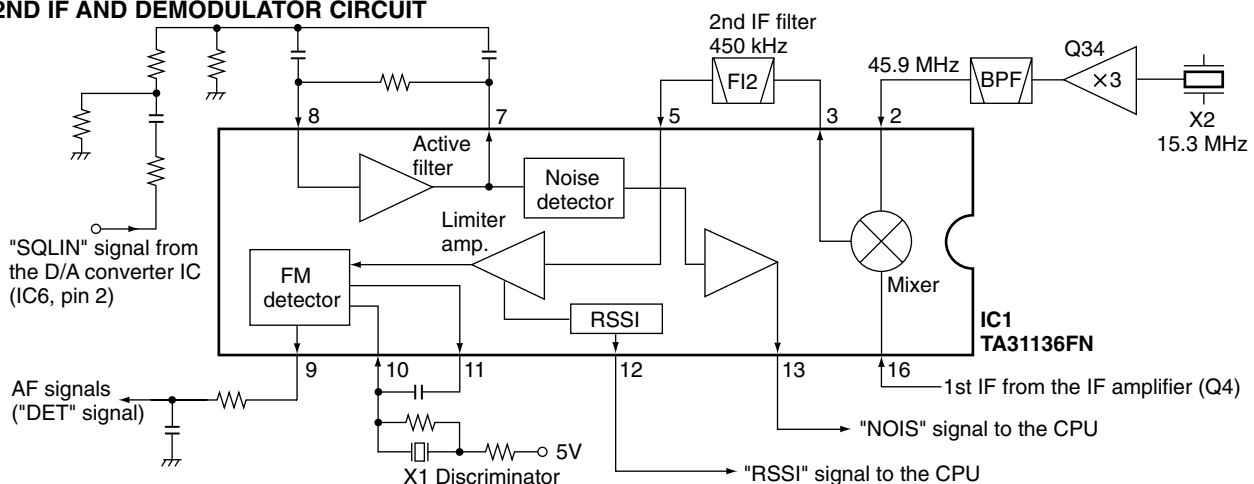
The tunable bandpass filters (D4, D8–D10) employ varactor diodes to tune the center frequency of the RF passband for wide bandwidth receiving and good image rejection. These diodes are controlled by the CPU (FRONT unit; IC1) via the D/A converter (IC6).

The gate control circuit reduces RF amplifier gain and attenuates RF signal to keep the audio output at a constant level.

The receiver gain is determined by the voltage on the "RSSI" line from the FM IF IC (IC1, pin 12). The gate control circuit (Q1) supplies control voltage to the RF amplifier (Q2) and sets the receiver gain.

When receiving strong signals, the "RSSI" voltage increases and the gate control voltage decreases. As the gate control voltage is used for the bias voltage of the RF amplifier (Q2), then the RF amplifier gain is decreased.

• 2ND IF AND DEMODULATOR CIRCUIT



4-1-3 1ST MIXER AND 1ST IF CIRCUITS (MAIN UNIT)

The 1st mixer circuit converts the received signals to a fixed frequency of the 1st IF signal with the PLL output frequency. By changing the PLL frequency, only the desired frequency will pass through a MCF (Monolithic Crystal Filter; F11) at the next stage of the 1st mixer.

The RF signals from the bandpass filter are applied to the 1st mixer circuit (Q3). The applied signals are mixed with the 1st LO signal coming from the RX VCO circuit (Q14) to produce a 46.35 MHz 1st IF signal. The 1st IF signal passes through a MCF (Monolithic Crystal Filter; F11) to suppress out-of-band signals. The filtered signal is amplified at the 1st IF amplifier (Q4) and applied to the 2nd IF circuit.

4-1-4 2ND IF AND DEMODULATOR CIRCUITS (MAIN UNIT)

The 2nd mixer circuit converts the 1st IF signal to a 2nd IF signal. A double-conversion superheterodyne system improves the image rejection ratio and obtains stable receiver gain.

The 1st IF signal from the 1st IF amplifier (Q4) is applied to the 2nd mixer section of the FM IF IC (IC1, pin 16) and is then mixed with the 2nd LO signal for conversion to a 450 kHz 2nd IF signal.

IC1 contains the 2nd mixer, limiter amplifier, quadrature detector, active filter and noise amplifier circuits, etc. A tripled frequency from the PLL reference oscillator is used for the 2nd LO signal (45.9 MHz).

The 2nd IF signal from the 2nd mixer (IC1, pin 3) passes through a ceramic filter (F12) to remove unwanted heterodyned frequencies. It is then amplified at the limiter amplifier section (IC1, pin 5) and applied to the quadrature detector section (IC1, pins 10, 11 and X1) to demodulate the 2nd IF signal into AF signals.

The AF signals are output from pin 9 (IC1) and are then applied to the AF amplifier circuit.

4-1-5 AF AMPLIFIER CIRCUIT (MAIN UNIT)

The AF amplifier circuit amplifies the demodulated AF signals to drive a speaker.

The AF signals from the FM IF IC (IC1, pin 9) are applied to the active filter circuit (IC16). The active filter circuit (high-pass filter) removes CTCSS or DTCS signals.

The filtered AF signals are output from pin 14 (IC16) and are applied to the de-emphasis circuit (R117, C378) with frequency characteristics of -6 dB/octave, and then passed through the analog switch (IC14, pins 1–3) and low-pass filter (IC5). The filtered signal is applied to the electronic volume controller (IC6, pin 9).

The output AF signals from the electronic volume controller (IC6, pin 10) are passed through the analog switch (IC14 pins 9–11) and are applied to the AF amplifier (IC15) and AF power amplifier (IC8) to drive the speaker.

4-1-6 RECEIVER MUTE CIRCUITS (MAIN AND FRONT UNITS)

• NOISE SQUELCH

The noise squelch circuit cuts out AF signals when no RF signals are received. By detecting noise components in the AF signals, the squelch circuit switches the AF mute switch.

Some noise components in the AF signals from the FM IF IC (IC1, pin 9) are passed through the level controller (IC6, pins 1, 2). The level controlled signals are applied to the active filter section in the FM IF IC (IC1, pin 8). Noise components about 10 kHz are amplified and output from pin 7.

The filtered signals are converted to the pulse-type signals at the noise detector section and output from pin 13 (NOIS).

The NOIS signal from the FM IF IC is applied to the CPU (FRONT unit; IC1, pin 53). The CPU then analyzes the noise condition and controls the AF mute signal via "AFON" line (D44, D45) to the AF mute circuit (Q35, Q36, D29, D30).

• CTCSS AND DTCS

The tone squelch circuit detects AF signals and opens the squelch only when receiving a signal containing a matching subaudible tone (CTCSS or DTCS). When tone squelch is in use, and a signal with a mismatched or no subaudible tone is received, the tone squelch circuit mutes the AF signals even when noise squelch is open.

A portion of the AF signals from the FM IF IC (IC1, pin 9) passes through the low-pass filter (IC16) to remove AF (voice) signals and is applied to the CTCSS or DTCS decoder inside the CPU (FRONT unit; IC1, pin 60) via the "CDEC" line to control the AF mute switch.

4-2 TRANSMITTER CIRCUITS

4-2-1 MICROPHONE AMPLIFIER CIRCUIT (MAIN AND FRONT UNITS)

The microphone amplifier circuit amplifies audio signals within $+6$ dB/octave pre-emphasis characteristics from the microphone to a level needed for the modulation circuit.

The AF signals (MIC) from the MIC jack (FRONT unit; J1) are amplified at the AF amplifier (FRONT unit; IC5) and applied to the MAIN unit via J2 (pin 28). The AF signal are applied to the limiter amplifier (IC5, pin 5).

The entered signals are pre-emphasized with $+6$ dB/octave at a limiter amplifier, then passed through the analog switch (IC14, pins 2–4) and splatter filter (IC5, pins 2, 1). The output signals from the splatter filter are applied to the level controller (IC6, pin 9).

The deviation level controlled signals are then applied to the modulation circuit (D18) as the "MOD" signal after being passed through the analog switch (IC14, pins 9, 8).

4-2-2 MODULATION CIRCUIT (MAIN AND FRONT UNITS)

The modulation circuit modulates the VCO oscillating signal (RF signal) using the microphone audio signals.

The AF signals from the analog switch (IC14, pin 8) change the reactance of varactor diode (D18) to modulate the oscillated signal at the TX VCO circuit (Q13, D16, D31). The modulated VCO signal is amplified at the buffer amplifiers (Q11, Q10) and is then applied to the drive amplifier circuit via the T/R switch (D14).

The CTCSS/DTCS signals from the CPU (FRONT unit; IC1, pins 22–24) are passed through the low-pass filter (FRONT unit; IC5), and mixer and splatter filter (IC5), and are then applied to the VCO circuit.

4-2-3 DRIVE AMPLIFIER CIRCUIT (MAIN UNIT)

The drive amplifier circuit amplifies the VCO oscillating signal to the level needed at the power amplifier.

The RF signal from the buffer amplifier (Q10) passes through the T/R switch (D14) and is amplified at the drive amplifier circuit (Q8). The amplified signal is applied to the power amplifier circuit.

4-2-4 POWER AMPLIFIER CIRCUIT (MAIN UNIT)

The power amplifier circuit amplifies the driver signal to an output power level.

The RF signal from the drive amplifier (Q8) is passed through the low-pass filter circuit (L18, L43, C89, C90, C92, C380, C381, C510) and applied to the power module (IC3) to obtain 25 W or 50 W of RF power.

The amplified signal is passed through the antenna switching circuit (D2), low-pass filter and APC detector, and is then applied to the antenna connector.

Control voltage for the power amplifier (IC3, pin 2) comes from the APC amplifier (IC2) to stabilize the output power. The transmit mute switch (D28) controls the APC amplifier when transmit mute is necessary.

4-2-5 APC CIRCUIT (MAIN UNIT)

The APC circuit protects the power amplifier from a mismatched output load and stabilizes the output power.

The APC detector circuit detects forward signals and reflection signals at D1 and D11 respectively. The combined voltage is at minimum level when the antenna impedance is matched at 50 Ω , and is increased when it is mismatched.

The detected voltage is applied to the APC amplifier (IC2, pin 3), and the power setting "T2" signal from the D/A converter (IC6, pin 22), controlled by the CPU (FRONT unit; IC1), is applied to the other input for reference. When antenna impedance is mismatched, the detected voltage exceeds the power setting voltage. Then the output voltage of the APC amplifier (IC2, pin 4) controls the input current of the drive amplifier (Q8) and power module (IC3) to reduce the output power.

4-3 PLL CIRCUITS

4-3-1 PLL CIRCUIT (MAIN UNIT)

A PLL circuit provides stable oscillation of the transmit frequency and receive 1st LO frequency. The PLL output compares the phase of the divided VCO frequency to the reference frequency. The PLL output frequency is controlled by the divided ratio (N-data) of a programmable divider.

The PLL circuit contains the TX/RX VCO circuit (Q13, Q14). The oscillated signal is amplified at the buffer amplifiers (Q11, Q12) and then applied to the PLL IC (IC4, pin 8) via the low-pass filter (L32, C298–C300).

The PLL IC contains a prescaler, programmable counter, programmable divider and phase detector, etc. The entered signal is divided at the prescaler and programmable counter section by the N-data ratio from the CPU. The reference signal is generated at the reference oscillator (X2) and is also applied to the PLL IC. The PLL IC detects the out-of-step phase using the reference frequency, and outputs it from pin 5. The output signal is passed through the loop filter (R97/C149, R96/C147), and is then applied to the VCO circuit as the lock voltage.

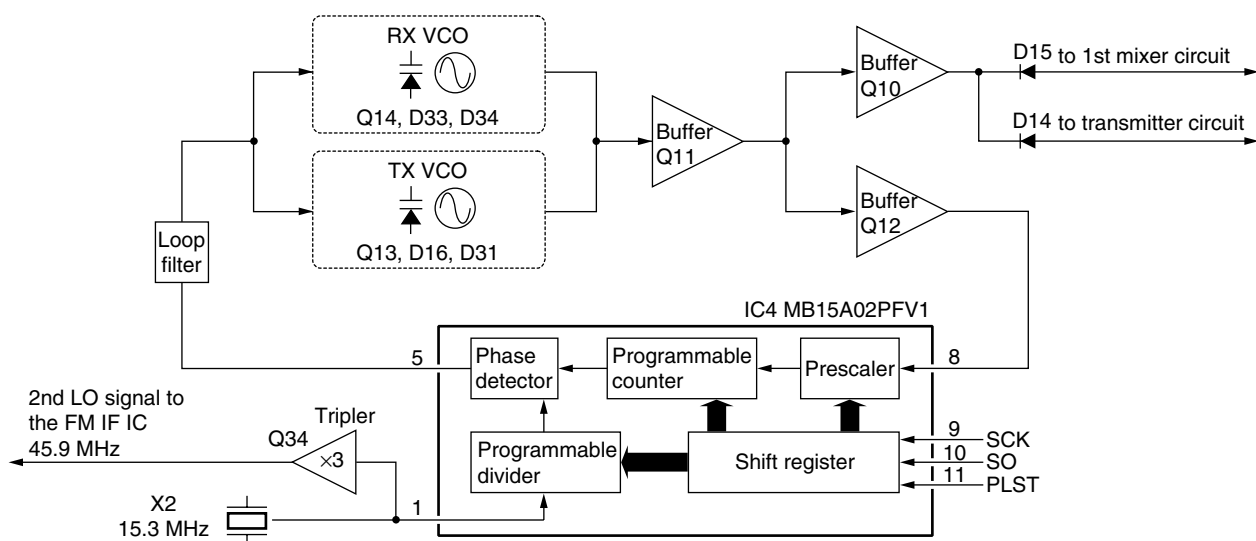
If the oscillated signal drifts, its phase changes from that of the reference frequency, causing a lock voltage change to compensate for the drift in the oscillated frequency.

4-3-2 VCO CIRCUIT (MAIN UNIT)

The VCO circuit contains a separate RX VCO (Q14, D33, D34) and TX VCO (Q13, D16, D31). The oscillated signal is amplified at the buffer amplifiers (Q11, Q10) and is then applied to the T/R switch circuit (D14, D15). Then the receive 1st LO (Rx) signal is applied to the 1st mixer (Q3) and the transmit (Tx) signal to the drive amplifier circuit (Q8).

A portion of the signal from the buffer amplifier (Q11) is fed back to the PLL IC (IC4, pin 8) via the buffer amplifier (Q12) and low-pass filter (L32, C298–C300) as the comparison signal.

• PLL CIRCUIT



4-4 POWER SUPPLY CIRCUITS

4-4-1 VOLTAGE LINES (MAIN UNIT)

Line	Description
HV	The voltage from a DC power supply.
VCC	The same voltage as the HV line which is controlled by the power switching circuit (Q23, Q24). When the [POWER] switch is pushed, the CPU outputs the "PWON" control signal to the power switching circuit to turn the circuit ON.
CPU5V	Common 5 V for the CPU converted from the HV line by the CPU5V regulator circuit (IC10). The circuit outputs the voltage regardless of the power ON/OFF condition.
8V	Common 8 V converted from the VCC line by the 8V regulator circuit (IC9).
5V	Common 5 V converted from the 8 V and CPU5V lines by the 5V regulator circuit (Q27, Q28).
R8V	Receive 8 V controlled by the R8 regulator circuit (Q26, Q30) using the "RXC" signal from the expander IC (IC17, pin 4).
T8V	Transmit 8 V controlled by the T8 regulator circuit (Q25, Q29, D23) using the "TMUT" signal from the expander IC (IC17, pin 13).

4-5 PORT ALLOCATIONS

4-5-1 CPU (FRONT UNIT; IC1)

Pin number	Port name	Description
1	TEMP	Input port for the internal temperature.
2	BATV	Input port for the low voltage detection from the connected power supply.
7	RES	Input port for reset signal.
13, 14	SENC0–SENC1	Output ports for 5/2 tone and DTMF signals.
15	CSFT	Outputs the CPU clock shift signal.
16	DUSE	Outputs cut-off frequency control signal to the low-pass filter (MAIN unit; IC5) for CTCSS/DTCS switching.
17, 18	KS0, KS1	Input port for the key matrix.
19–20	SENC2–SENC3	Output ports for 5/2 tone and DTMF signals.
21	UNLK	Input port for the PLL unlock signal from the PLL IC (MAIN unit; IC4).
22	KR0	Input port for the key matrix.
23–25	CENO0–CENO2	Output ports for CTCSS/DTCS signals.
26, 27	KR1, KR2	Input ports for the key matrix.
28	SCK	Outputs the clock signal to the PLL IC (MAIN unit; IC4), D/A converter (MAIN unit; IC6), LED driver (IC4) and optional board (connect to MAIN unit; J1).
29	SO	Outputs the data signal to the PLL IC (MAIN unit; IC4), D/A converter (MAIN unit; IC6) and optional board (connect to MAIN unit; J1).
30	BEEP	Output port for beep sound signal.
31	ESDA	I/O port for the data signal for the EEPROM (IC3)
32	ESCL	Outputs the clock signal for the EEPROM (IC3).
33	LSCK	Outputs the clock signal for the LCD driver (IC6, pin 17).
34	LSO	Outputs the data signal for the LCD driver (IC6, pin 48).
36	PLST	Outputs the strobe signal for the PLL IC (MAIN unit; IC4).
37	DAST	Outputs the strobe signal for the D/A converter IC (MAIN unit; IC6).
38	EXST	Outputs the strobe signal for the expander IC (IC17).
39	EXOE	Outputs the control signal for the LCD driver IC (IC6).
41	PWON	Outputs the control signal for the power switching circuit (MAIN unit; Q24, Q23).

CPU-Continued

Pin number	Port name	Description
44-46	OPT3- OPT1	I/O ports for the optional board control signals.
48	SI	Input port for the clock signal from the optional board via J1.
49	CLI	Input port for the cloning signal.
50	CLO	Output port for the cloning signal.
51	POSW	Input port for the POWER switch.
52	IGSW	<ul style="list-style-type: none"> • Input port for the remote power control signal from the external connector.(J6) • Input port for the dimmer control.
53	NOIS	Input port for the "NOIS" signal from the FM IF IC (MAIN unit; IC1) for noise squelch operation.
54	CIRQ	Input port for interruption signal from the optional board via J1.
55	CCS	Outputs chip select signal for the optional board via J1.
56	PTT	Input port for the PTT switch from microphone.
57	EPTT	Input port for the PTT switch from the external connector (J6). Low : External PTT switch is ON.
58	HANG	Input port for the microphone hanger detection signal. Low : Microphone on hook.
59	AFVI	Input port for the AF volume control signal (R14). High : [VOL] is maximum clockwise.
60	CDEC	Input port for the CTCSS/DTCS decoding signals.
61	SDEC	Input port for the single tone decoding signal.
62	OV12	Input port for the optional board detection signal.
63	RSSI	Input port for receiving signal strength level detection.
64	LVIN	Input port for the PLL lock voltage.

4-5-2 OUTPUT EXPANDER (MAIN UNIT; IC17)

Pin number	Port name	Description
4	RXC	Outputs transmit/receive control signal. High: While receiving.
5	AFON	Outputs audio output control signal. High: While receiving.
6	NWC	Outputs wide/narrow control signal. High: Wide is selected.
7	RMUT	Outputs receiving mute control signal. Low: While receiving is muting.
11	BUSY	Outputs busy detecting signal to the optional unit.
13	TMUT	Outputs transmitting mute control signal. Low: While transmitting is muting.
14	MMUT	Outputs the microphone mute control signal. Low: While the microphone is muting.

4-5-3 LCD DRIVER (FRONT UNIT; IC6)

Pin number	Port name	Description
1	LIGT1	Outputs dimmer control signal. High: Dimmter is ON.
2	LIGT2	Outputs backlight control signal. High: Backlight is ON.
3-34	SEG32- SEG1	Output LCD segment signals.
35-38	COM4- COM1	Output LCD common signals.

4-5-4 D/A CONVERTER IC (MAIN UNIT; IC6)

Pin number	Port name	Description
2	SQIN	Outputs the detection level control signal for the squelch circuit.
4	TENC	Outputs the TENC level control signal.
11	BAL	Outputs the modulation balance control signal.
14	T1	Outputs the tuning voltage for band-pass filters
22	T2	<ul style="list-style-type: none"> • Outputs the tuning voltage for band-pass filters. • Outputs transmitting power control signal.
23	REF	Outputs the reference oscillator correcting voltage.

SECTION 5 ADJUSTMENT PROCEDURES

5-1 PREPARATION

When you adjust the contents on pages 5-5 and 5-6, SOFTWARE ADJUSTMENT, the optional CS-F100 ADJ ADJUSTMENT SOFTWARE (Rev. 1.0 or later), *OPC-1122 JIG CABLE (modified OPC-1122 CLONING CABLE; see illustration below) are required.

SYSTEM REQUIREMENTS

- IBM PC compatible computer with an RS-232C serial port (38400 bps or faster).
- Microsoft Windows 95/98 or Windows ME
- Intel Pentium 100 MHz processor or faster
- At least 16 MB RAM and 10 MB of hard disk space
- 640x480 pixel display (800x600 pixel display recommended)

IBM is a registered trademark of International Business Machines Corporation in the U.S.A. and other countries. Microsoft and Windows are registered trademarks of Microsoft Corporation in the U.S.A. and other countries. Screen shots produced with permission from Microsoft Corporation. All other products or brands are registered trademarks or trademarks of their respective holders.

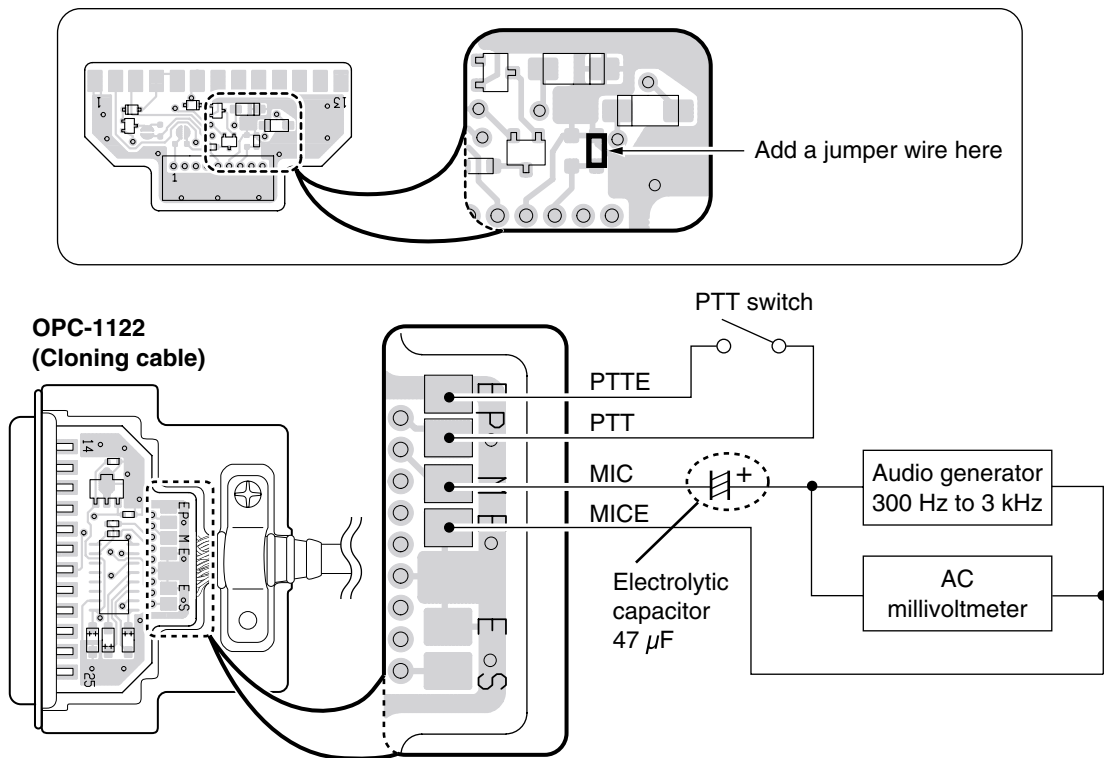
ADJUSTMENT SOFTWARE INSTALLATION

- ① Boot up Windows.
 - Quit all applications when Windows is running.
- ② Insert the 'CS-F100' into the appropriate CD drive.
- ③ Select 'Run' from the [Start] menu.
- ④ Type the setup program name using the full path name, then push [Enter] key.
(ex. D:\CSF100ADJ\Setup.exe)
- ⑤ Follow the prompts.
- ⑥ Program group 'CS-F100 ADJ' appears in the 'Programs' folder of the [Start] menu.

STARTING SOFTWARE ADJUSTMENT

- ① Connect IC-F210/F211/F221 and PC with *OPC-1122 JIG CABLE.
- ② Turn the transceiver power ON.
- ③ Boot up Windows, and click the program group 'CS-F100 ADJ' in the 'Programs' folder of the [Start] menu, then CS-F100 ADJ's window appears.
- ④ Click 'Connect' on the CS-F100 ADJ's window, then appears IC-F210/F211/F221's up-to-date condition.
- ⑤ Set or modify adjustment data as desired.

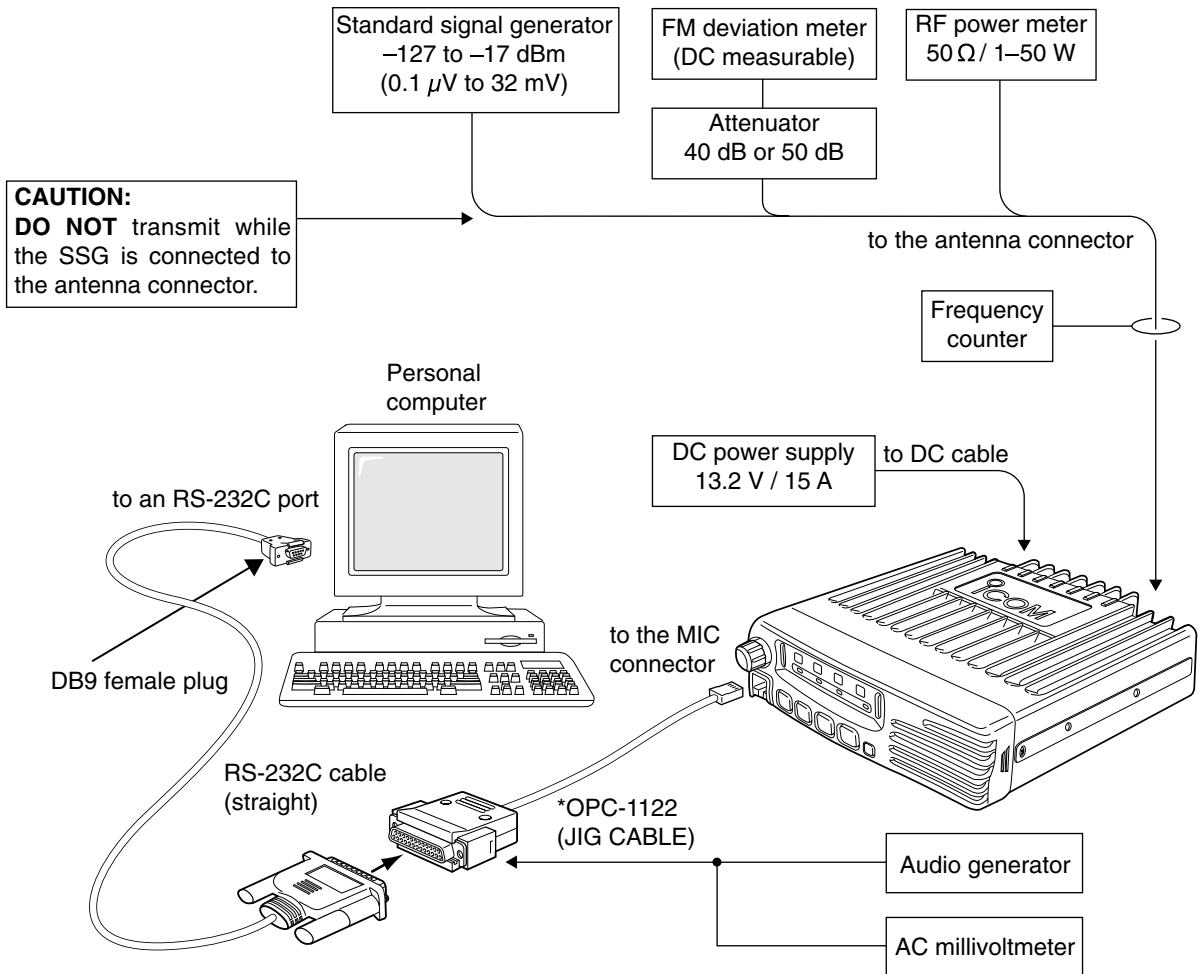
*OPC-1122 (JIG CABLE)



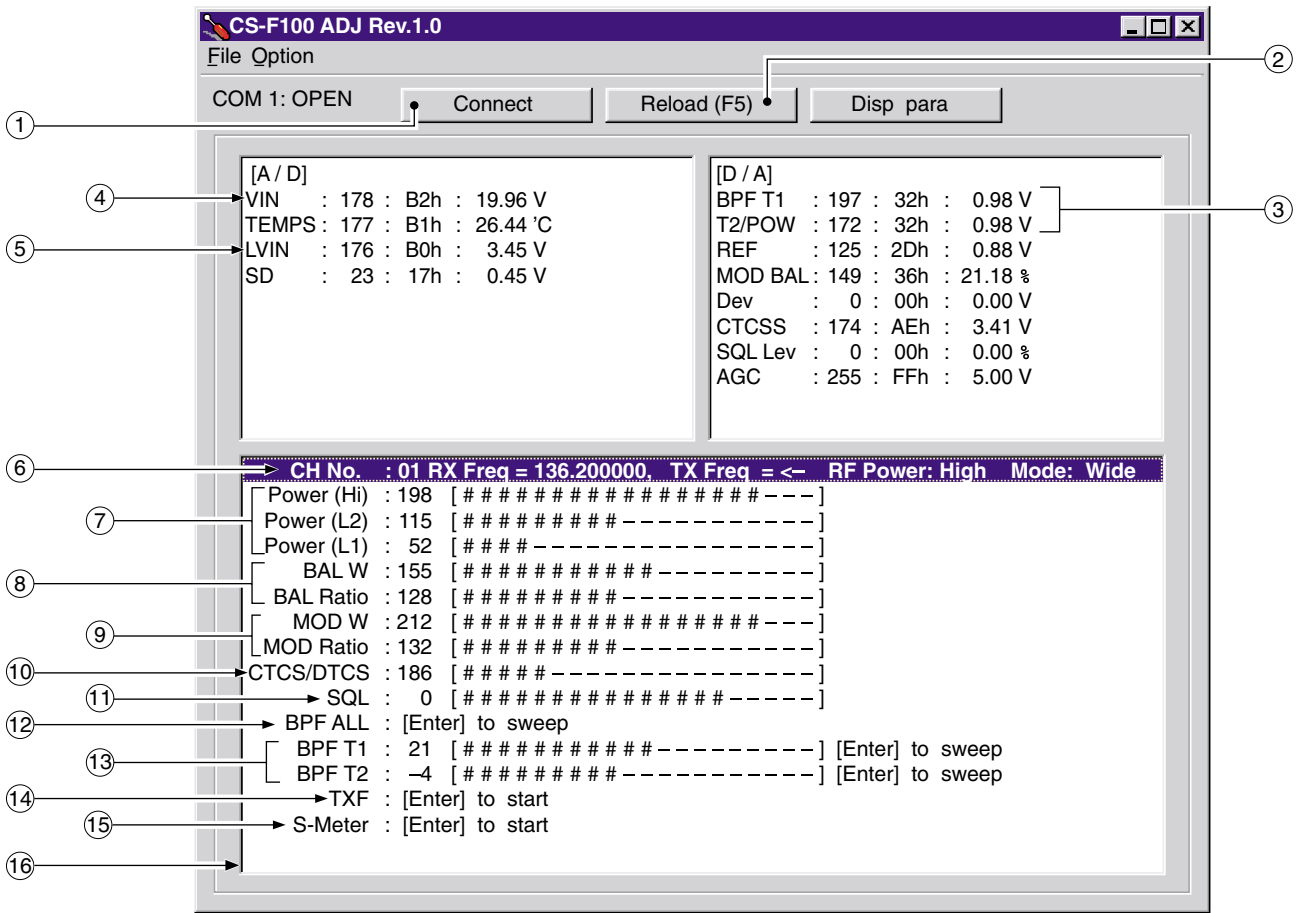
■ REQUIRED TEST EQUIPMENT

EQUIPMENT	GRADE AND RANGE	EQUIPMENT	GRADE AND RANGE
DC power supply	Output voltage : 13.2 V DC Current capacity : 15 A or more	Audio generator	Frequency range : 300–3000 Hz Measuring range : 1–500 mV
RF power meter (terminated type)	Measuring range : 1–100 W Frequency range : 300–600 MHz Impedance : 50 Ω SWR : Less than 1.2 : 1	Standard signal generator (SSG)	Frequency range : 0.1–600 MHz Output level : 0.1 μV–32 mV (–127 to –17 dBm)
Frequency counter	Frequency range : 0.1–600 MHz Frequency accuracy : ±1 ppm or better Sensitivity : 100 mV or better	Oscilloscope	Frequency range : DC–20 MHz Measuring range : 0.01–20 V
FM deviation meter	Frequency range : DC–600 MHz Measuring range : 0 to ±10 kHz	AC millivoltmeter	Measuring range : 10 mV–10 V
DC voltmeter	Input impedance : 50 kΩ/V DC or better	External speaker	Input impedance : 4 Ω Capacity : 7 W or more
		Attenuator	Power attenuation : 40 or 50 dB Capacity : 50 W or more

• CONNECTIONS



• SCREEN DISPLAY EXAMPLE



NOTE: The above values for settings are example only.
Each transceiver has its own specific values for each setting.

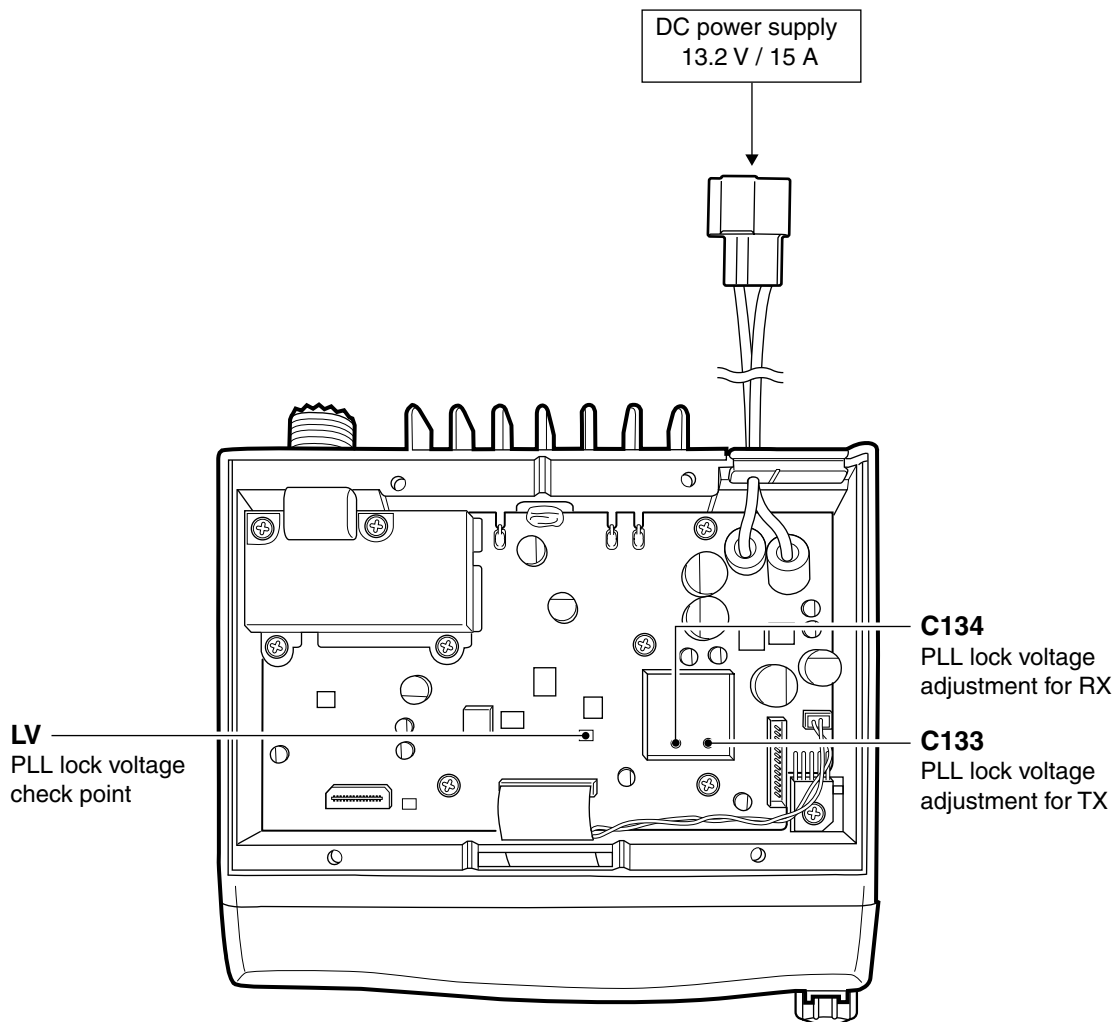
- | | |
|-------------------------------------|---|
| ① : Transceiver's connection state | ⑨ : FM deviation |
| ② : Reload adjustment data | ⑩ : CTCSS/DTCS deviation |
| ③ : Receive sensitivity measurement | ⑪ : Squelch level |
| ④ : Connected DC voltage | ⑫ : Receive sensitivity (automatically) |
| ⑤ : PLL lock voltage | ⑬ : Receive sensitivity (manually) |
| ⑥ : Operating channel select | ⑭ : Reference frequency |
| ⑦ : RF output power | ⑮ : S-meter |
| ⑧ : Modulation balance | ⑯ : Adjustment items |

5-2 PLL ADJUSTMENT

ADJUSTMENT	ADJUSTMENT CONDITIONS	MEASUREMENT		VALUE	ADJUSTMENT		
		UNIT	LOCATION		UNIT	ADJUST	
PLL LOCK VOLTAGE	1 • Operating freq. : 400.000 MHz (A) 440.000 MHz (B) • Receiving	MAIN	Connect a digital multi-meter or an oscilloscope to the check point, "LV".	1.0 V	MAIN	C133	
	2 • Output power : Low1 • Transmitting					1.1 V	C134
	3 • Operating freq. : 430.000 MHz (A) 490.000 MHz (B) • Receiving					3.3–4.5 V	Verify
	4 • Output power : Low1 • Transmitting					3.3–4.5 V	

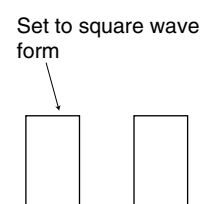
(A): 400–430 MHz version for [F210], [F211]

(B): 440–490 MHz version for [F210], [F211], [F221]



5-3 SOFTWARE ADJUSTMENT

Select an operation using [↑] / [↓] keys, then set specified value using [←] / [→] keys on the connected computer keyboard.

ADJUSTMENT	ADJUSTMENT CONDITION	MEASUREMENT		VALUE
		UNIT	LOCATION	
REFERENCE FREQUENCY [TXF]	1 <ul style="list-style-type: none"> Operating freq. : 430.000 MHz (A) 490.000 MHz (B) Output power : Low1 Connect the RF power meter or 50 Ω dummy load to the antenna connector. Transmitting 	Rear panel	Loosely couple a frequency counter to the antenna connector.	430.0000 MHz (A) 490.0000 MHz (B)
OUTPUT POWER [Power (Hi)]	1 <ul style="list-style-type: none"> Operating freq. : 430.000 MHz (A) 490.000 MHz (B) Output power : High Transmitting 	Rear panel	Connect an RF power meter to the antenna connector.	25.0 W [25 W] 45.0 W [45 W]
[Power (L2)]	2 <ul style="list-style-type: none"> Output power : Low2 Transmitting 			10.0 W [25 W] 25.0 W [45 W]
[Power (L1)]	3 <ul style="list-style-type: none"> Output power : Low1 Transmitting 			2.5 W [25 W] 4.5 W [45 W]
FM DEVIATION [MOD W]	1 <ul style="list-style-type: none"> Operating freq. : 415.000 MHz (A) 465.000 MHz (B) Output power : Low1 IF bandwidth : Wide Connect an audio generator to the [MIC] jack through the JIG cable and set as: 1.0 kHz/40 mVrms Set an FM deviation meter as: <ul style="list-style-type: none"> HPF : OFF LPF : 20 kHz De-emphasis: OFF Detector : (P-P)/2 Transmitting 	Rear panel	Connect an FM deviation meter to the antenna connector through the attenuator.	±4.1 kHz [N/W] ±3.3 kHz [N/M]
[MOD Ratio]	2 <ul style="list-style-type: none"> IF bandwidth : Narrow Transmitting 			±2.1 kHz
MODULATION BALLANCE [BAL W]	1 <ul style="list-style-type: none"> Operating freq. : 415.000 MHz (A) 465.000 MHz (B) Set to the DTCS set channel, and push [Connect] on the Adjustment software. Operating freq. : 155.000 MHz Output power : Low1 Transmitting 	Rear panel	Connect an FM deviation meter with an oscilloscope to the antenna connector through an attenuator.	Set to square wave form 
[BAL Ratio]	2 <ul style="list-style-type: none"> IF bandwidth : Narrow Transmitting 			
CTCSS/DTCS DEVIATION [CTCS/DTCS]	1 <ul style="list-style-type: none"> Operating freq. : 430.000 MHz (A) 490.000 MHz (B) Output power : Low1 IF bandwidth : Wide CTCSS : 67 Hz DTCS code : 007 Set the FM deviation meter as: <ul style="list-style-type: none"> HPF : OFF LPF : 20 kHz De-emphasis: OFF Detector : (P-P)/2 No audio applied to the [MIC] connector. Transmitting 	Rear panel	Connect an FM deviation meter to the antenna connector through the attenuator.	±0.8 kHz [N/W] ±0.64 kHz [N/W]

(A): 400–430 MHz version for [F210], [F211]

(B): 440–490 MHz version for [F210], [F211], [F221]

SOFTWARE ADJUSTMENT – continued

Select an operation using [↑] / [↓] keys, then set specified value using [←] / [→] keys on the connected computer keyboard.

ADJUSTMENT	ADJUSTMENT CONDITION	MEASUREMENT		VALUE
		UNIT	LOCATION	
RX SENSITIVITY [BPF T1], [BPF T2]	1 <ul style="list-style-type: none"> Operating freq. : 400.000 MHz (A) 440.000 MHz (B) IF bandwidth : Wide Connect a standard signal generator to the antenna connector and set as: Frequency : 400.000 MHz (A) 440.000 MHz (B) Level : 10 μV* (-87 dBm) Modulation : 1 kHz Deviation : ±3.5 kHz [N/W] ±2.8 kHz [N/M] Receiving 	MAIN	Connect a SINAD meter with a 4 Ω load to the external [SP] jack.	Minimum distortion level
CONVENIENT: The BPF T1–BPF T2 can be adjusted automatically. ①-1: Set the cursor to “BPF ALL” on the adjustment program and then push [ENTER] key. ①-2: The connected PC tunes BPF T1, BPF T2 to peak levels. or ②-1: Set the cursor to BPF T1 or BPF T2 as desired. ②-2: Push [ENTER] key to start tuning. ②-3: Repeat ②-1 and ②-2 to perform additional BPF tuning.				
SQUELCH LEVEL [SQL]	1 <ul style="list-style-type: none"> Operating freq. : 415.000 MHz (A) 465.000 MHz (B) IF bandwidth : Narrow Connect an SSG to the antenna connector and set as: Frequency : 415.000 MHz (A) 465.000 MHz (B) Level : 0.2 μV* (-121 dBm) Modulation : 1 kHz Deviation : ±1.75 kHz Receiving 	Rear panel	Connect a SINAD meter with a 4 Ω load to the external [SP] jack.	Set “SQL level” to close squelch. Then set “SQL level” at the point where the audio signals just appears.
S-METER [S-METER] (S3 LEVEL)	1 <ul style="list-style-type: none"> Operating freq. : 400.000 MHz (A) 440.000 MHz (B) IF bandwidth : Wide Connect an SSG to the antenna connector and set as: Frequency : 400.000 MHz (A) 440.000 MHz (B) Level : 14 μV* (-84 dBm) Modulation : 1 kHz Deviation : ±3.5 kHz [N/W] ±2.8 kHz [N/M] Receiving 	• Adjusting S3 and S1’s S-meter level automatically when push the return key on the key board.		
(S1 LEVEL)	2 <ul style="list-style-type: none"> Set an SSG as: Level : 0.45 μV* (-114 dBm) 			

*The output level of the standard signal generator (SSG) is indicated as the SSG’s open circuit.

(A): 400–430 MHz version for [F210], [F211]

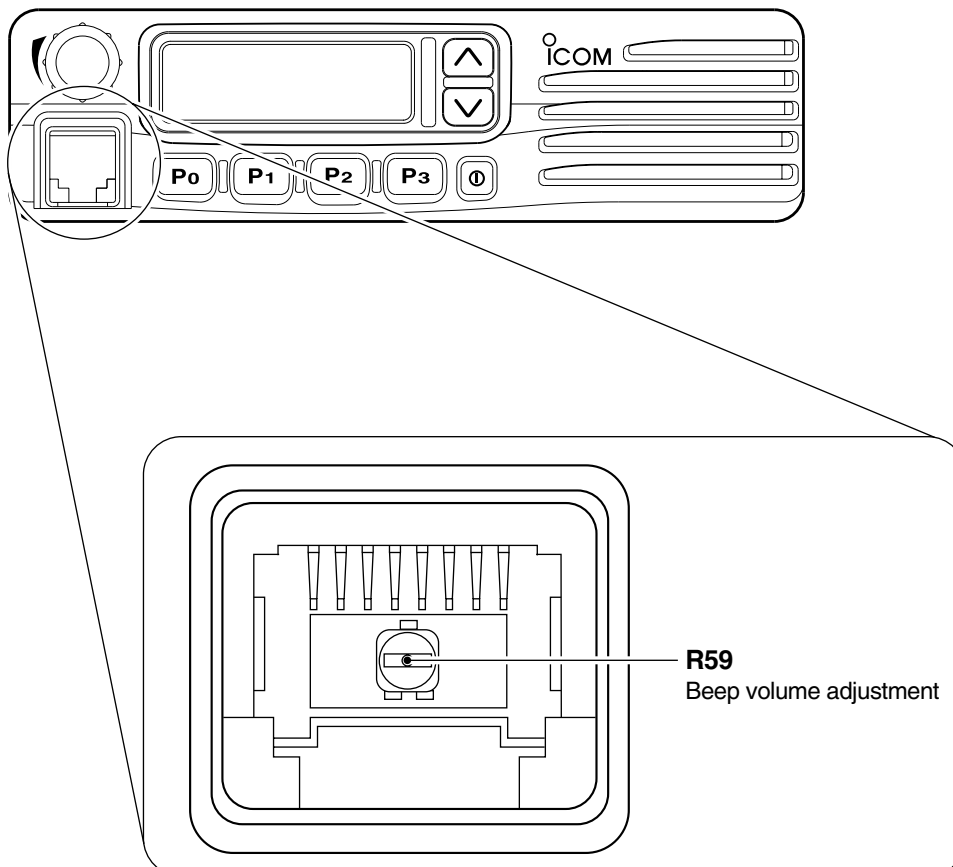
(B): 440–490 MHz version for [F210], [F211], [F221]

5-4 TRIMMER ADJUSTMENT

- Make this adjustment if necessary (For example, when beep sound is too loud or too soft).
- **BE CAREFUL!**: 5-tone calling beep sound becomes loud or soft when beep volume adjusts to loud or soft.

ADJUSTMENT	ADJUSTMENT CONDITIONS	MEASUREMENT		ADJUSTMENT	
		UNIT	LOCATION	UNIT	ADJUST
BEEP VOLUME	1 <ul style="list-style-type: none"> • Operating freq. : Any • Receiving 	FRONT	Push any button except [POWER] switch, then verify the beep volume level.	FRONT	R59

• FRONT PANEL



SECTION 6 PARTS LIST

FRONT UNIT

REF NO.	ORDER NO.	DESCRIPTION	
IC1	1140011260	S.IC	HD6433687A11FP (FX-2622A)
IC2	1110005770	S.IC	S-80942CNMC-G9C-T2
IC3	1140008650	S.IC	HN58X2464TI
IC5	1110005340	S.IC	NJM12902V-TE1
IC6	1130009090	S.IC	LC75834W
Q1	1530002850	S.TRANSISTOR	2SC4116-BL (TE85R)
Q2	1590001050	S.TRANSISTOR	DTC114TUA T106
Q3	1590000430	S.TRANSISTOR	DTC144EUA T106
Q5	1590001050	S.TRANSISTOR	DTC114TUA T106
D1	1790000950	S.ZENER	MA8056-M (TX)
D2	1790000950	S.ZENER	MA8056-M (TX)
D3	1790000950	S.ZENER	MA8056-M (TX)
D4	1790000620	S.DIODE	MA77 (TX)
D5	1790001250	S.DIODE	MA2S111-(TX)
X1	6050009520	S.XTAL	CR-520 (19.6608 MHz+)
L1	6200003640	S.COIL	MLF1608E 100K-T
L2	6200001980	S.COIL	NL 252018T-1R0J
R7	7030009160	S.RESISTOR	ERJ2GEJ 181 X (180 Ω)
R8	7030009160	S.RESISTOR	ERJ2GEJ 181 X (180 Ω)
R9	7030005000	S.RESISTOR	ERJ2GEJ 471 X (470 Ω)
R11	7030009280	S.RESISTOR	ERJ2GE
R12	7030009140	S.RESISTOR	ERJ2GEJ 272 X (2.7 kΩ)
R14	7210003020	VARIABLE	EVU-F2KFK1 B14 (10KB)
R15	7030005120	S.RESISTOR	ERJ2GEJ 102 X (1 kΩ)
R16	7030005120	S.RESISTOR	ERJ2GEJ 102 X (1 kΩ)
R18	7030005090	S.RESISTOR	ERJ2GEJ 104 X (100 kΩ)
R19	7030005090	S.RESISTOR	ERJ2GEJ 104 X (100 kΩ)
R20	7030008300	S.RESISTOR	ERJ2GEJ 184 X (180 kΩ)
R21	7030005720	S.RESISTOR	ERJ2GEJ 563 X (56 kΩ)
R22	7030005220	S.RESISTOR	ERJ2GEJ 223 X (22 kΩ)
R23	7030005240	S.RESISTOR	ERJ2GEJ 473 X (47 kΩ)
R24	7030005240	S.RESISTOR	ERJ2GEJ 473 X (47 kΩ)
R25	7030005220	S.RESISTOR	ERJ2GEJ 223 X (22 kΩ)
R26	7030005240	S.RESISTOR	ERJ2GEJ 473 X (47 kΩ)
R27	7030005240	S.RESISTOR	ERJ2GEJ 473 X (47 kΩ)
R28	7030005040	S.RESISTOR	ERJ2GEJ 472 X (4.7 kΩ)
R29	7030008290	S.RESISTOR	ERJ2GEJ 183 X (18 kΩ)
R30	7030005110	S.RESISTOR	ERJ2GEJ 224 X (220 kΩ)
R31	7030005090	S.RESISTOR	ERJ2GEJ 104 X (100 kΩ)
R32	7030005240	S.RESISTOR	ERJ2GEJ 473 X (47 kΩ)
R33	7030005220	S.RESISTOR	ERJ2GEJ 223 X (22 kΩ)
R34	7030005220	S.RESISTOR	ERJ2GEJ 223 X (22 kΩ)
R35	7030005070	S.RESISTOR	ERJ2GEJ 683 X (68 kΩ)
R36	7030005070	S.RESISTOR	ERJ2GEJ 683 X (68 kΩ)
R37	7030005070	S.RESISTOR	ERJ2GEJ 683 X (68 kΩ)
R38	7030005070	S.RESISTOR	ERJ2GEJ 683 X (68 kΩ)
R39	7030005070	S.RESISTOR	ERJ2GEJ 683 X (68 kΩ)
R40	7030005240	S.RESISTOR	ERJ2GEJ 473 X (47 kΩ)
R41	7030005050	S.RESISTOR	ERJ2GEJ 103 X (10 kΩ)
R42	7030007350	S.RESISTOR	ERJ2GEJ 393 X (39 kΩ)
R43	7030005060	S.RESISTOR	ERJ2GEJ 333 X (33 kΩ)
R44	7030005100	S.RESISTOR	ERJ2GEJ 154 X (150 kΩ)
R45	7030005530	S.RESISTOR	ERJ2GEJ 100 X (10 Ω)
R46	7030005160	S.RESISTOR	ERJ2GEJ 105 X (1 MΩ)
R47	7030008010	S.RESISTOR	ERJ2GEJ 123 X (12 kΩ)
R48	7030008010	S.RESISTOR	ERJ2GEJ 123 X (12 kΩ)
R49	7030008010	S.RESISTOR	ERJ2GEJ 123 X (12 kΩ)
R50	7410001130	S.ARRAY	EXB28V102JX
R51	7030005090	S.RESISTOR	ERJ2GEJ 104 X (100 kΩ)
R52	7030005120	S.RESISTOR	ERJ2GEJ 102 X (1 kΩ)
R54	7410001130	S.ARRAY	EXB28V102JX
R55	7410000770	S.ARRAY	EXB-V4V 102JV (1 kΩ)

FRONT UNIT

REF NO.	ORDER NO.	DESCRIPTION	
R56	7410001130	S.ARRAY	EXB28V102JX
R57	7030005160	S.RESISTOR	ERJ2GEJ 105 X (1 MΩ)
R58	7030005050	S.RESISTOR	ERJ2GEJ 103 X (10 kΩ)
R59	7310002740	S.TRIMMER	RV-150 (RH03A3A14X0FC) 103
R60	7030005090	S.RESISTOR	ERJ2GEJ 104 X (100 kΩ)
R65	7030005120	S.RESISTOR	ERJ2GEJ 102 X (1 kΩ)
R67	7030005050	S.RESISTOR	ERJ2GEJ 103 X (10 kΩ)
R68	7030005050	S.RESISTOR	ERJ2GEJ 103 X (10 kΩ)
R73	7030005050	S.RESISTOR	ERJ2GEJ 103 X (10 kΩ)
R74	7030005050	S.RESISTOR	ERJ2GEJ 103 X (10 kΩ)
R75	7030005050	S.RESISTOR	ERJ2GEJ 103 X (10 kΩ)
R76	7030005120	S.RESISTOR	ERJ2GEJ 102 X (1 kΩ)
R77	7030005030	S.RESISTOR	ERJ2GEJ 152 X (1.5 kΩ)
R78	7030005240	S.RESISTOR	ERJ2GEJ 473 X (47 kΩ)
R79	7410000770	S.ARRAY	EXB-V4V 102JV (1 kΩ)
R80	7030005090	S.RESISTOR	ERJ2GEJ 104 X (100 kΩ)
R81	7030005090	S.RESISTOR	ERJ2GEJ 104 X (100 kΩ)
R82	7030005090	S.RESISTOR	ERJ2GEJ 104 X (100 kΩ)
R83	7030005090	S.RESISTOR	ERJ2GEJ 104 X (100 kΩ)
R84	7030005090	S.RESISTOR	ERJ2GEJ 104 X (100 kΩ)
R85	7030005090	S.RESISTOR	ERJ2GEJ 104 X (100 kΩ)
R86	7030005090	S.RESISTOR	ERJ2GEJ 104 X (100 kΩ)
R87	7030005090	S.RESISTOR	ERJ2GEJ 104 X (100 kΩ)
R88	7030005090	S.RESISTOR	ERJ2GEJ 104 X (100 kΩ)
R89	7030005090	S.RESISTOR	ERJ2GEJ 104 X (100 kΩ)
R90	7030006610	S.RESISTOR	ERJ2GEJ 394 X (390 kΩ)
C1	4030018100	S.CERAMIC	ECJ0EB1H681K
C2	4030017420	S.CERAMIC	ECJ0EC1H470J
C3	4030017420	S.CERAMIC	ECJ0EC1H470J
C4	4030017420	S.CERAMIC	ECJ0EC1H470J
C5	4030017420	S.CERAMIC	ECJ0EC1H470J
C6	4030017420	S.CERAMIC	ECJ0EC1H470J
C7	4030017420	S.CERAMIC	ECJ0EC1H470J
C8	4030017460	S.CERAMIC	ECJ0EB1E102K
C9	4030017460	S.CERAMIC	ECJ0EB1E102K
C10	4030017460	S.CERAMIC	ECJ0EB1E102K
C11	4030017420	S.CERAMIC	ECJ0EC1H470J
C12	4030017460	S.CERAMIC	ECJ0EB1E102K
C14	4030017460	S.CERAMIC	ECJ0EB1E102K
C15	4030016960	S.CERAMIC	ECJ0EB1C183K
C16	4030016930	S.CERAMIC	ECJ0EB1A104K
C17	4030017740	S.CERAMIC	ECJ0EB1E821K
C19	4030016930	S.CERAMIC	ECJ0EB1A104K
C20	4030018110	S.CERAMIC	ECJ0EB1H272K
C21	4030018240	S.CERAMIC	ECJ0EB1E562K
C22	4030017710	S.CERAMIC	ECJ0EC1H181J
C23	4030018090	S.CERAMIC	ECJ0EB1C822K
C24	4030017510	S.CERAMIC	ECJ0EC1H680J
C25	4030016790	S.CERAMIC	ECJ0EB1C103K
C26	4030016930	S.CERAMIC	ECJ0EB1A104K
C27	4030017450	S.CERAMIC	ECJ0EB1E271K
C28	4030016930	S.CERAMIC	ECJ0EB1A104K
C29	4550006050	S.TANTALUM	TEMSVA 0J 106M8L
C30	4030017030	S.CERAMIC	ECJ0EB1A273K
C31	4030017400	S.CERAMIC	ECJ0EC1H220J
C32	4030017640	S.CERAMIC	ECJ0EC1H150J
C33	4030017510	S.CERAMIC	ECJ0EC1H680J
C34	4030017730	S.CERAMIC	ECJ0EB1E471K
C35	4030016930	S.CERAMIC	ECJ0EB1A104K
C36	4030016930	S.CERAMIC	ECJ0EB1A104K
C37	4030017420	S.CERAMIC	ECJ0EC1H470J
C38	4030017420	S.CERAMIC	ECJ0EC1H470J
C41	4030017460	S.CERAMIC	ECJ0EB1E102K
C50	4030017420	S.CERAMIC	ECJ0EC1H470J
C54	4030017420	S.CERAMIC	ECJ0EC1H470J
C69	4030017420	S.CERAMIC	ECJ0EC1H470J
C74	4030017420	S.CERAMIC	ECJ0EC1H470J
C75	4030016930	S.CERAMIC	ECJ0EB1A104K
C76	4030016930	S.CERAMIC	ECJ0EB1A104K
C77	4030016950	S.CERAMIC	ECJ0EB1A473K

(A): 440–490 MHz for [F210] (B): 440–490 MHz for [F211] (C): 400–430 MHz for [F210] (D): 400–430 MHz for [F211] (E): [F221] and [F211] (F): [F210] (G): 440–490 MHz (H): 400–430 MHz (I): Wide/Narrow (J): Middle/Narrow (K): [F221]

S.=Surface mount

[FRONT UNIT]

REF NO.	ORDER NO.	DESCRIPTION	
C78	4030017460	S.CERAMIC	ECJ0EB1E102K
C79	4030016930	S.CERAMIC	ECJ0EB1A104K
C80	4030016930	S.CERAMIC	ECJ0EB1A104K
C81	4030017460	S.CERAMIC	ECJ0EB1E102K
C82	4030017420	S.CERAMIC	ECJ0EC1H470J
C83	4030017420	S.CERAMIC	ECJ0EC1H470J
C84	4030017420	S.CERAMIC	ECJ0EC1H470J
C85	4030017420	S.CERAMIC	ECJ0EC1H470J
J1	6450002210	CONNECTOR	3017-8821 <KIN>
J2	6510022470	S.CONNECTOR	40FLT-SM1-TB
DS1	5040002310	S.LED	SML-311YTT86
DS2	5040002310	S.LED	SML-311YTT86
DS3	5040002310	S.LED	SML-311YTT86
DS4	5040002310	S.LED	SML-311YTT86
DS5	5040002310	S.LED	SML-311YTT86
DS6	5040002310	S.LED	SML-311YTT86
DS7	5040002310	S.LED	SML-311YTT86
DS8	5040002310	S.LED	SML-311YTT86
DS9	5040002310	S.LED	SML-311YTT86
DS11	5030002510	LCD	L2-0607TAY
SP1	2510001220	SPEAKER	C052SB500-13
W1	8900010500	CABLE	OPC-1046
EP1	0910055684	PCB	B 5910D
EP2	89300059170	LCD CONTACT	SRCN-2622-SP-N-W

[MAIN UNIT]

REF NO.	ORDER NO.	DESCRIPTION	
IC1	1110003490	S.IC	TA31136FN (D,EL)
IC2	1110002750	S.IC	TA75S01F (TE85R)
IC3	1150002031	IC	RA30H4452M-21
	1150002061	IC	RA45H4452M-21
	1150002091	IC	RA30H4047M-21
	1150002141	IC	RA45H4047M-21
IC4	1140005990	S.IC	MB15A02PFV1-G-BND-ER
IC5	1110005330	S.IC	NJM12904V-TE1
IC6	1190000350	S.IC	M62363FP-650C
IC8	1110003090	IC	LA4425A
IC9	1180001250	S.IC	TA7808F (TE16L)
IC10	1180000970	S.IC	AN78L05M-(E1)
IC14	1130008090	S.IC	BU4066BCFV-E1
IC15	1110002750	S.IC	TA75S01F (TE85R)
IC16	1110005340	S.IC	NJM12902V-TE1
IC17	1130007570	S.IC	BU4094BCFV-E2
Q1	1560000840	S.FET	2SK1829 (TE85R)
Q2	1580000730	S.FET	3SK293 (TE85L)
Q3	1580000760	S.FET	3SK299-T1 U73
Q4	1530002600	S.TRANSISTOR	2SC4215-O (TE85R)
Q5	1590000430	S.TRANSISTOR	DTC144EUA T106
Q8	1530000371	S.TRANSISTOR	2SC3356-T1B R25
Q9	1530003310	S.TRANSISTOR	2SC5107-O (TE85R)
Q10	1530003310	S.TRANSISTOR	2SC5107-O (TE85R)
Q11	1530003310	S.TRANSISTOR	2SC5107-O (TE85R)
Q12	1530003310	S.TRANSISTOR	2SC5107-O (TE85R)
Q13	1530002920	S.TRANSISTOR	2SC4226-T1 R25
Q14	1530002920	S.TRANSISTOR	2SC4226-T1 R25
Q15	1590001400	S.TRANSISTOR	XP1214 (TX)
Q16	1590000430	S.TRANSISTOR	DTC144EUA T106
Q17	1530002850	S.TRANSISTOR	2SC4116-BL (TE85R)
Q18	1560000540	S.FET	2SK880-Y (TE85R)
Q19	1530002600	S.TRANSISTOR	2SC4215-O (TE85R)
Q20	1530002850	S.TRANSISTOR	2SC4116-BL (TE85R)

[MAIN UNIT]

REF NO.	ORDER NO.	DESCRIPTION	
Q23	1550000020	S.FET	2SJ377 (TE16R)
Q24	1590000430	S.TRANSISTOR	DTC144EUA T106
Q25	1540000550	S.TRANSISTOR	2SD1664 T100Q
Q26	1510000920	S.TRANSISTOR	2SA1577 T106 Q
Q27	1510000920	S.TRANSISTOR	2SA1577 T106 Q
Q28	1590001190	S.TRANSISTOR	XP6501-(TX) .AB
Q29	1590001050	S.TRANSISTOR	DTC114TUA T106
Q30	1590000430	S.TRANSISTOR	DTC144EUA T106
Q31	1590001450	S.FET	2SJ144-GR (TE85R)
Q33	1590000430	S.TRANSISTOR	DTC144EUA T106
Q34	1530002850	S.TRANSISTOR	2SC4116-BL (TE85R)
Q35	1590000990	S.TRANSISTOR	DTC363EK T146
Q36	1590000430	S.TRANSISTOR	DTC144EUA T106
Q37	1530003090	S.TRANSISTOR	2SC4213-B (TE85R)
Q38	1590000430	S.TRANSISTOR	DTC144EUA T106
Q39	1590000430	S.TRANSISTOR	DTC144EUA T106
D1	1790000660	S.DIODE	MA728 (TX)
D2	1750000510	S.DIODE	UM9401F
D3	1710001060	DIODE	XB15A407
D4	1750000710	S.VARICAP	HVC350BTRF
D5	1750000510	S.DIODE	UM9401F
D7	1790000660	S.DIODE	MA728 (TX)
D8	1750000710	S.VARICAP	HVC350BTRF
D9	1750000710	S.VARICAP	HVC350BTRF
D10	1750000710	S.VARICAP	HVC350BTRF
D11	1790000660	S.DIODE	MA728 (TX)
D14	1750000580	S.DIODE	1SV307 (TPH3)
D15	1790000620	S.DIODE	MA77 (TX)
D16	1750000710	S.VARICAP	HVC350BTRF
D17	1750000710	S.VARICAP	HVC350BTRF
D18	1720000570	S.VARICAP	MA368 (TX)
D20	1790001250	S.DIODE	MA2S111-(TX)
D21	1750000830	S.VARICAP	HVC362TRF
D22	1790000700	DIODE	DSA3A1
D23	1750000370	S.DIODE	DA221 TL
D25	1790001250	S.DIODE	MA2S111-(TX)
D26	1790001250	S.DIODE	MA2S111-(TX)
D28	1790001250	S.DIODE	MA2S111-(TX)
D29	1790001250	S.DIODE	MA2S111-(TX)
D31	1750000520	S.DIODE	DAN222TL
D37	1790001250	S.DIODE	MA2S111-(TX)
D38	1790001250	S.DIODE	MA2S111-(TX)
D39	1160000140	S.DIODE	DAP222 TL
D40	1160000140	S.DIODE	DAP222 TL
D43	1750000710	S.VARICAP	HVC350BTRF
F11	2030000150	S.MONOLITH	FL-335 (46.350 MHz)
F12	2020001840	CERAMIC	ALFYM450F=K
F13	2040001440	S.LC	NFE31PT152Z1E9L (NFM60R20T152)
F14	2040001440	S.LC	NFE31PT152Z1E9L (NFM60R20T152)
F15	2040001440	S.LC	NFE31PT152Z1E9L (NFM60R20T152)
X1	6070000190	S.DISCRIMINATOR	CDBC450KCAY24-R0 (CDBC450CX24)
X2	6050011540	S.XTAL	CR-741 (15.300 MHz)
L1	6200010150	S.COIL	AS080340-15N
L2	6200010150	S.COIL	AS080340-15N
L3	6200010040	S.COIL	AS100340-10N
L4	6200008210	S.COIL	0.45-1.5-5TL 23.2N
L5	6200010420	S.COIL	FHW1210HC 1R0JGT
L7	6200007230	S.COIL	LQW2BHN15NJ01L (LQN21A 15NJ04)
			(H)
	6200007680	S.COIL	LQW2BHN12NJ01L (LQN21A 12NJ04)
			(G)
L8	6200007230	S.COIL	LQW2BHN15NJ01L (LQN21A 15NJ04)
			(H)
	6200007680	S.COIL	LQW2BHN12NJ01L (LQN21A 12NJ04)
			(G)

(A): 440-490 MHz for [F210] (B): 440-490 MHz for [F211] (C): 400-430 MHz for [F210] (D): 400-430 MHz for [F211] (E): [F221] and [F211] (F): [F210] (G): 440-490 MHz (H): 400-430 MHz (I): Wide/Narrow (J): Middle/Narrow (K): [F221]

S.=Surface mount

[MAIN UNIT]

REF NO.	ORDER NO.	DESCRIPTION
R120	7030003560	S.RESISTOR ERJ3GEYJ 103 V (10 kΩ)
R121	7030003520	S.RESISTOR ERJ3GEYJ 472 V (4.7 kΩ)
R122	7030003460	S.RESISTOR ERJ3GEYJ 152 V (1.5 kΩ)
R124	7030003520	S.RESISTOR ERJ3GEYJ 472 V (4.7 kΩ)
R125	7030003680	S.RESISTOR ERJ3GEYJ 104 V (100 kΩ)
R126	7030003400	S.RESISTOR ERJ3GEYJ 471 V (470 Ω)
R127	7030003640	S.RESISTOR ERJ3GEYJ 473 V (47 kΩ)
R128	7030003560	S.RESISTOR ERJ3GEYJ 103 V (10 kΩ)
R129	7030003320	S.RESISTOR ERJ3GEYJ 101 V (100 Ω)
R130	7030003560	S.RESISTOR ERJ3GEYJ 103 V (10 kΩ)
R133	7030003700	S.RESISTOR ERJ3GEYJ 154 V (150 kΩ)
R134	7030003650	S.RESISTOR ERJ3GEYJ 563 V (56 kΩ)
R135	7030003690	S.RESISTOR ERJ3GEYJ 124 V (120 kΩ)
R136	7030003560	S.RESISTOR ERJ3GEYJ 103 V (10 kΩ)
R137	7030003660	S.RESISTOR ERJ3GEYJ 683 V (68 kΩ)
R138	7030003680	S.RESISTOR ERJ3GEYJ 104 V (100 kΩ)
R139	7030003680	S.RESISTOR ERJ3GEYJ 104 V (100 kΩ)
R140	7030003680	S.RESISTOR ERJ3GEYJ 104 V (100 kΩ)
R141	7030003440	S.RESISTOR ERJ3GEYJ 102 V (1 kΩ)
R142	7410001130	S.ARRAY EXB28V102JX
R143	7410001130	S.ARRAY EXB28V102JX
R144	7030003440	S.RESISTOR ERJ3GEYJ 102 V (1 kΩ)
R145	7030003550	S.RESISTOR ERJ3GEYJ 822 V (8.2 kΩ)
R146	7030003440	S.RESISTOR ERJ3GEYJ 102 V (1 kΩ)
R147	7410001130	S.ARRAY EXB28V102JX
R148	7410001130	S.ARRAY EXB28V102JX
R149	7410001130	S.ARRAY EXB28V102JX
R150	7410001130	S.ARRAY EXB28V102JX
R156	7030003520	S.RESISTOR ERJ3GEYJ 472 V (4.7 kΩ)
R159	7030003560	S.RESISTOR ERJ3GEYJ 103 V (10 kΩ)
R163	7030003560	S.RESISTOR ERJ3GEYJ 103 V (10 kΩ)
R164	7030003610	S.RESISTOR ERJ3GEYJ 273 V (27 kΩ)
R183	7030003720	S.RESISTOR ERJ3GEYJ 224 V (220 kΩ)
R184	7030003650	S.RESISTOR ERJ3GEYJ 563 V (56 kΩ)
R185	7030003690	S.RESISTOR ERJ3GEYJ 124 V (120 kΩ)
R186	7030003680	S.RESISTOR ERJ3GEYJ 104 V (100 kΩ)
R187	7030003480	S.RESISTOR ERJ3GEYJ 222 V (2.2 kΩ)
R188	7030003520	S.RESISTOR ERJ3GEYJ 472 V (4.7 kΩ)
R191	7030003720	S.RESISTOR ERJ3GEYJ 224 V (220 kΩ)
R192	7030003720	S.RESISTOR ERJ3GEYJ 224 V (220 kΩ)
R193	7030003760	S.RESISTOR ERJ3GEYJ 474 V (470 kΩ)
R194	7030003480	S.RESISTOR ERJ3GEYJ 222 V (2.2 kΩ)
R195	7030003490	S.RESISTOR ERJ3GEYJ 272 V (2.7 kΩ)
R196	7030003560	S.RESISTOR ERJ3GEYJ 103 V (10 kΩ)
R197	7030003560	S.RESISTOR ERJ3GEYJ 103 V (10 kΩ)
R198	7030003560	S.RESISTOR ERJ3GEYJ 103 V (10 kΩ)
R199	7030003560	S.RESISTOR ERJ3GEYJ 103 V (10 kΩ)
R200	7030003560	S.RESISTOR ERJ3GEYJ 103 V (10 kΩ)
R201	7030003400	S.RESISTOR ERJ3GEYJ 471 V (470 Ω)
R202	7030000440	S.RESISTOR MCR10EZHZ 3.3 kΩ
R203	7030000440	S.RESISTOR MCR10EZHZ 3.3 kΩ
R204	7030003520	S.RESISTOR ERJ3GEYJ 472 V (4.7 kΩ)
R205	7030003560	S.RESISTOR ERJ3GEYJ 103 V (10 kΩ)
R206	7030003760	S.RESISTOR ERJ3GEYJ 474 V (470 kΩ)
R207	7030003720	S.RESISTOR ERJ3GEYJ 224 V (220 kΩ)
R208	7030000440	S.RESISTOR MCR10EZHZ 3.3 kΩ
R209	7510001470	S.THERMISTOR NTCG20 4AG 473JT
R210	7030005871	S.RESISTOR ERA3YKD 104V (100 kΩ)
R211	7030003290	S.RESISTOR ERJ3GEYJ 560 V (56 Ω)
R215	7030003400	S.RESISTOR ERJ3GEYJ 471 V (470 Ω)
R217	7030003600	S.RESISTOR ERJ3GEYJ 223 V (22 kΩ)
R218	7030003600	S.RESISTOR ERJ3GEYJ 223 V (22 kΩ)
R219	7030003680	S.RESISTOR ERJ3GEYJ 104 V (100 kΩ)
R220	7030003680	S.RESISTOR ERJ3GEYJ 104 V (100 kΩ)
R222	7030003560	S.RESISTOR ERJ3GEYJ 103 V (10 kΩ)
R223	7030005120	S.RESISTOR ERJ2GEJ 102 X (1 kΩ)
R224	7030003280	S.RESISTOR ERJ3GEYJ 470 V (47 Ω)
R225	7030005050	S.RESISTOR ERJ2GEJ 103 X (10 kΩ)
R226	7030003680	S.RESISTOR ERJ3GEYJ 104 V (100 kΩ)
R227	7030003800	S.RESISTOR ERJ3GEYJ 105 V (1 MΩ)
R228	7030003680	S.RESISTOR ERJ3GEYJ 104 V (100 kΩ)
R229	7030003800	S.RESISTOR ERJ3GEYJ 105 V (1 MΩ)
R230	7030003440	S.RESISTOR ERJ3GEYJ 102 V (1 kΩ)
R231	7030003560	S.RESISTOR ERJ3GEYJ 103 V (10 kΩ)
R232	7030003630	S.RESISTOR ERJ3GEYJ 393 V (39 kΩ)
R234	7030003640	S.RESISTOR ERJ3GEYJ 473 V (47 kΩ)
R235	7030003560	S.RESISTOR ERJ3GEYJ 103 V (10 kΩ)
R236	7030003450	S.RESISTOR ERJ3GEYJ 122 V (1.2 kΩ)

[MAIN UNIT]

REF NO.	ORDER NO.	DESCRIPTION
R237	7030003780	S.RESISTOR ERJ3GEYJ 684 V (680 kΩ)
R238	7030003680	S.RESISTOR ERJ3GEYJ 104 V (100 kΩ)
R240	7030003680	S.RESISTOR ERJ3GEYJ 104 V (100 kΩ)
R241	7030003680	S.RESISTOR ERJ3GEYJ 104 V (100 kΩ)
R242	7030003630	S.RESISTOR ERJ3GEYJ 393 V (39 kΩ)
R243	7030003670	S.RESISTOR ERJ3GEYJ 823 V (82 kΩ)
R244	7030003750	S.RESISTOR ERJ3GEYJ 394 V (390 kΩ)
R245	7030003710	S.RESISTOR ERJ3GEYJ 184 V (180 kΩ)
R246	7030003460	S.RESISTOR ERJ3GEYJ 152 V (1.5 kΩ)
R247	7030003600	S.RESISTOR ERJ3GEYJ 223 V (22 kΩ)
R248	7030003600	S.RESISTOR ERJ3GEYJ 223 V (22 kΩ)
R249	7030003600	S.RESISTOR ERJ3GEYJ 223 V (22 kΩ)
R250	7030003680	S.RESISTOR ERJ3GEYJ 104 V (100 kΩ)
R251	7030003760	S.RESISTOR ERJ3GEYJ 474 V (470 kΩ)
R252	7030003400	S.RESISTOR ERJ3GEYJ 471 V (470 Ω)
R261	7030003800	S.RESISTOR ERJ3GEYJ 105 V (1 MΩ)
R262	7030003800	S.RESISTOR ERJ3GEYJ 105 V (1 MΩ)
R263	7030003800	S.RESISTOR ERJ3GEYJ 105 V (1 MΩ)
R264	7030003660	S.RESISTOR ERJ3GEYJ 683 V (68 kΩ)
R265	7030003590	S.RESISTOR ERJ3GEYJ 183 V (18 kΩ)
R266	7030003640	S.RESISTOR ERJ3GEYJ 473 V (47 kΩ)
R267	7030003610	S.RESISTOR ERJ3GEYJ 273 V (27 kΩ)
R268	7030003560	S.RESISTOR ERJ3GEYJ 103 V (10 kΩ)
R269	7030003680	S.RESISTOR ERJ3GEYJ 104 V (100 kΩ)
R270	7030003680	S.RESISTOR ERJ3GEYJ 104 V (100 kΩ)
R271	7030003320	S.RESISTOR ERJ3GEYJ 101 V (100 Ω)
R285	7030003320	S.RESISTOR ERJ3GEYJ 101 V (100 Ω)
R287	7030003560	S.RESISTOR ERJ3GEYJ 103 V (10 kΩ)
R290	7030003420	S.RESISTOR ERJ3GEYJ 681 V (680 Ω)
R291	7030003680	S.RESISTOR ERJ3GEYJ 104 V (100 kΩ)
R292	7030003540	S.RESISTOR ERJ3GEYJ 682 V (6.8 kΩ) Ⓒ
	7030003570	S.RESISTOR ERJ3GEYJ 123 V (12 kΩ) Ⓓ
R297	7030005651	S.RESISTOR ERA3YKD 304V (300 kΩ)
R298	7030005871	S.RESISTOR ERA3YKD 104V (100 kΩ)
R304	7030003600	S.RESISTOR ERJ3GEYJ 223 V (22 kΩ)
R305	7030003800	S.RESISTOR ERJ3GEYJ 105 V (1 MΩ)
R306	7030004050	S.RESISTOR ERJ3GEYJ 1R0 V (1 Ω)
R308	7030003490	S.RESISTOR ERJ3GEYJ 272 V (2.7 kΩ)
R309	7030003680	S.RESISTOR ERJ3GEYJ 104 V (100 kΩ)
R310	7030003680	S.RESISTOR ERJ3GEYJ 104 V (100 kΩ)
R315	7030003680	S.RESISTOR ERJ3GEYJ 104 V (100 kΩ)
R316	7030003680	S.RESISTOR ERJ3GEYJ 104 V (100 kΩ)
R317	7030003760	S.RESISTOR ERJ3GEYJ 474 V (470 kΩ)
R318	7030003440	S.RESISTOR ERJ3GEYJ 102 V (1 kΩ)
R319	7030003440	S.RESISTOR ERJ3GEYJ 102 V (1 kΩ)
R320	7030003620	S.RESISTOR ERJ3GEYJ 333 V (33 kΩ)
R321	7030003340	S.RESISTOR ERJ3GEYJ 151 V (150 Ω) Ⓖ only
R322	7030004050	S.RESISTOR ERJ3GEYJ 1R0 V (1 Ω)
R323	7030003720	S.RESISTOR ERJ3GEYJ 224 V (220 kΩ) Ⓒ only
C1	4030011040	S.CERAMIC GRM31M4C2H2R0CY21L (GRM42-6 CK) Ⓔ
	4030011100	S.CERAMIC GRM31M2C2H8R0DV01L (GRM42-6 CH) Ⓕ
C2	4030011060	S.CERAMIC GRM31M2C2H4R0CY21L (GRM42-6 CH) Ⓖ
	4030011080	S.CERAMIC GRM31M2C2H6R0DV01L (GRM42-6 CH) Ⓕ
C3	4030006860	S.CERAMIC C1608 JB 1H 102K-T Ⓖ
C4	4030006990	S.CERAMIC C1608 CH 1H 080D-T Ⓔ
	4030007010	S.CERAMIC C1608 CH 1H 100D-T Ⓕ
C5	4030006860	S.CERAMIC C1608 JB 1H 102K-T Ⓖ
C6	4030011020	S.CERAMIC GRM31M4C2H1R0CY21L (GRM42-6 CK)
C7	4030011040	S.CERAMIC GRM31M4C2H2R0CY21L (GRM42-6 CK) Ⓑ, Ⓘ, Ⓚ
	4030011060	S.CERAMIC GRM31M2C2H4R0CY21L (GRM42-6 CH) Ⓖ, Ⓗ
C8	4030011020	S.CERAMIC GRM31M4C2H1R0CY21L (GRM42-6 CK)
C9	4030011060	S.CERAMIC GRM31M2C2H4R0CY21L (GRM42-6 CH)
C10	4030006860	S.CERAMIC C1608 JB 1H 102K-T Ⓖ
C11	4030006860	S.CERAMIC C1608 JB 1H 102K-T Ⓖ
C12	4030011340	S.CERAMIC C1608 CH 1H 471J-T
C13	4030007090	S.CERAMIC C1608 CH 1H 470J-T
C14	4030011240	S.CERAMIC GRM31M2C2H470JV01L (GRM42-6 CH)

Ⓐ: 440-490 MHz for [F210] Ⓑ: 440-490 MHz for [F211] Ⓒ: 400-430 MHz for [F210] Ⓓ: 400-430 MHz for [F211] Ⓔ: [F221] and [F211]
 Ⓕ: [F210] Ⓖ: 440-490 MHz Ⓗ: 400-430 MHz Ⓘ: Wide/Narrow Ⓚ: Middle/Narrow Ⓛ: [F221]

S.=Surface mount

[MAIN UNIT]

REF NO.	ORDER NO.	DESCRIPTION	
C15	4030006990	S.CERAMIC	C1608 CH 1H 080D-T (G)
	4030011770	S.CERAMIC	C1608 CH 1H 060B-T (H)
C16	4030011030	S.CERAMIC	GRM31M4C2H1R5CY21L (GRM42-6 CK) (A)
			(B, K)
	4030011040	S.CERAMIC	GRM31M4C2H2R0CY21L (GRM42-6 CK) (A, D)
			(C, E)
	4030011050	S.CERAMIC	GRM31M3C2H3R0CY21L (GRM42-6 CJ) (C)
C18	4030009910	S.CERAMIC	C1608 CH 1H 040B-T (G)
C19	4030006860	S.CERAMIC	C1608 JB 1H 102K-T
C20	4030009920	S.CERAMIC	C1608 CH 1H 050B-T
C21	4030009520	S.CERAMIC	C1608 CH 1H 020B-T
C22	4030009500	S.CERAMIC	C1608 CH 1H 0R5B-T
C25	4030009520	S.CERAMIC	C1608 CH 1H 020B-T
C26	4030006980	S.CERAMIC	C1608 CH 1H 070D-T
C27	4030006860	S.CERAMIC	C1608 JB 1H 102K-T
C28	4030006860	S.CERAMIC	C1608 JB 1H 102K-T
C29	4030009540	S.CERAMIC	C1608 CH 1H 1R5B-T
C30	4030009530	S.CERAMIC	C1608 CH 1H 030B-T (C)
	4030009920	S.CERAMIC	C1608 CH 1H 050B-T except (C)
C32	4030006860	S.CERAMIC	C1608 JB 1H 102K-T
C33	4030007090	S.CERAMIC	C1608 CH 1H 470J-T
C34	4030017460	S.CERAMIC	ECJ0EB1E102K
C35	4030011600	S.CERAMIC	C1608 JB 1E 104K-T
C36	4030006860	S.CERAMIC	C1608 JB 1H 102K-T
C37	4030006860	S.CERAMIC	C1608 JB 1H 102K-T
C38	4030006860	S.CERAMIC	C1608 JB 1H 102K-T
C39	4030009920	S.CERAMIC	C1608 CH 1H 050B-T (H)
	4030011770	S.CERAMIC	C1608 CH 1H 060B-T (G)
C40	4030009500	S.CERAMIC	C1608 CH 1H 0R5B-T
C41	4030007030	S.CERAMIC	C1608 CH 1H 150J-T
C42	4030006860	S.CERAMIC	C1608 JB 1H 102K-T
C43	4030006860	S.CERAMIC	C1608 JB 1H 102K-T
C44	4030009520	S.CERAMIC	C1608 CH 1H 020B-T (H)
	4030009540	S.CERAMIC	C1608 CH 1H 1R5B-T (G)
C45	4030006980	S.CERAMIC	C1608 CH 1H 070D-T (G)
	4030011770	S.CERAMIC	C1608 CH 1H 060B-T (H)
C48	4030007050	S.CERAMIC	C1608 CH 1H 220J-T
C49	4030006980	S.CERAMIC	C1608 CH 1H 070D-T (H)
	4030009920	S.CERAMIC	C1608 CH 1H 050B-T (G)
C50	4030006860	S.CERAMIC	C1608 JB 1H 102K-T
C51	4030006860	S.CERAMIC	C1608 JB 1H 102K-T
C52	4030007080	S.CERAMIC	C1608 CH 1H 390J-T
C53	4030006900	S.CERAMIC	C1608 JB 1H 103K-T
C54	4030006860	S.CERAMIC	C1608 JB 1H 102K-T
C55	4030009920	S.CERAMIC	C1608 CH 1H 050B-T
C56	4030007050	S.CERAMIC	C1608 CH 1H 220J-T
C57	4030006860	S.CERAMIC	C1608 JB 1H 102K-T
C58	4030006860	S.CERAMIC	C1608 JB 1H 102K-T
C59	4030006860	S.CERAMIC	C1608 JB 1H 102K-T
C60	4030006860	S.CERAMIC	C1608 JB 1H 102K-T
C61	4030007130	S.CERAMIC	C1608 CH 1H 101J-T
C62	4030007130	S.CERAMIC	C1608 CH 1H 101J-T
C63	4030007090	S.CERAMIC	C1608 CH 1H 470J-T
C64	4030006860	S.CERAMIC	C1608 JB 1H 102K-T
C65	4030006860	S.CERAMIC	C1608 JB 1H 102K-T
C66	4030006860	S.CERAMIC	C1608 JB 1H 102K-T
C67	4030006860	S.CERAMIC	C1608 JB 1H 102K-T
C69	4030011330	S.CERAMIC	C1608 CH 1H 391J-T
C70	4030011330	S.CERAMIC	C1608 CH 1H 391J-T
C71	4030011600	S.CERAMIC	C1608 JB 1E 104K-T
C72	4030006860	S.CERAMIC	C1608 JB 1H 102K-T (E) only
C73	4030017490	S.CERAMIC	C1608 JB 1A 105K-T
C75	4550006050	S.TANTALUM	TEMSVA 0J 106M8L
C76	4030006900	S.CERAMIC	C1608 JB 1H 103K-T
C77	4030006860	S.CERAMIC	C1608 JB 1H 102K-T
C78	4030006860	S.CERAMIC	C1608 JB 1H 102K-T
C79	4030011810	S.CERAMIC	C1608 JB 1A 224K-T
C80	4030006880	S.CERAMIC	C1608 JB 1H 472K-T
C81	4030006860	S.CERAMIC	C1608 JB 1H 102K-T
C82	4030011040	S.CERAMIC	GRM31M4C2H2R0CY21L (GRM42-6 CK) (A)
			(C, E)
	4030011050	S.CERAMIC	GRM31M3C2H3R0CY21L (GRM42-6 CJ) (C, E)

[MAIN UNIT]

REF NO.	ORDER NO.	DESCRIPTION	
C83	4030011040	S.CERAMIC	GRM31M4C2H2R0CY21L (GRM42-6 CK) (A)
			(C, E)
	4030011050	S.CERAMIC	GRM31M3C2H3R0CY21L (GRM42-6 CJ) (C, E)
C84	4030007090	S.CERAMIC	C1608 CH 1H 470J-T
C85	4030006860	S.CERAMIC	C1608 JB 1H 102K-T
C86	4030007090	S.CERAMIC	C1608 CH 1H 470J-T
C87	4030006860	S.CERAMIC	C1608 JB 1H 102K-T
C88	4030007090	S.CERAMIC	C1608 CH 1H 470J-T
C89	4030009910	S.CERAMIC	C1608 CH 1H 040B-T (G)
	4030009920	S.CERAMIC	C1608 CH 1H 050B-T (H)
C90	4030009520	S.CERAMIC	C1608 CH 1H 020B-T
C91	4510005750	S.ELECTROLYTIC	ECEV1EA220SP
C92	4030006980	S.CERAMIC	C1608 CH 1H 070D-T
C93	4030009910	S.CERAMIC	C1608 CH 1H 040B-T (B, K)
	4030009920	S.CERAMIC	C1608 CH 1H 050B-T (D, F)
C94	4030009520	S.CERAMIC	C1608 CH 1H 020B-T (G)
	4030009530	S.CERAMIC	C1608 CH 1H 030B-T (H)
C96	4030006860	S.CERAMIC	C1608 JB 1H 102K-T
C97	4030007090	S.CERAMIC	C1608 CH 1H 470J-T
C98	4030009520	S.CERAMIC	C1608 CH 1H 020B-T
C99	4030006860	S.CERAMIC	C1608 JB 1H 102K-T
C100	4030007010	S.CERAMIC	C1608 CH 1H 100D-T
C101	4030006860	S.CERAMIC	C1608 JB 1H 102K-T
C102	4030007020	S.CERAMIC	C1608 CH 1H 120J-T
C103	4030009920	S.CERAMIC	C1608 CH 1H 050B-T
C104	4030006860	S.CERAMIC	C1608 JB 1H 102K-T
C105	4030006860	S.CERAMIC	C1608 JB 1H 102K-T
C106	4030007090	S.CERAMIC	C1608 CH 1H 470J-T
C107	4030006860	S.CERAMIC	C1608 JB 1H 102K-T
C108	4030006900	S.CERAMIC	C1608 JB 1H 103K-T
C109	4030006860	S.CERAMIC	C1608 JB 1H 102K-T
C110	4030011340	S.CERAMIC	C1608 CH 1H 471J-T
C111	4030007090	S.CERAMIC	C1608 CH 1H 470J-T
C112	4030011600	S.CERAMIC	C1608 JB 1E 104K-T
C113	4030009500	S.CERAMIC	C1608 CH 1H 0R5B-T
C114	4030006980	S.CERAMIC	C1608 CH 1H 070D-T
C115	4030009910	S.CERAMIC	C1608 CH 1H 040B-T
C116	4030006860	S.CERAMIC	C1608 JB 1H 102K-T
C117	4030011340	S.CERAMIC	C1608 CH 1H 471J-T
C118	4030009500	S.CERAMIC	C1608 CH 1H 0R5B-T
C119	4030006900	S.CERAMIC	C1608 JB 1H 103K-T
C120	4030011340	S.CERAMIC	C1608 CH 1H 471J-T
C121	4030007010	S.CERAMIC	C1608 CH 1H 100D-T
C122	4030011770	S.CERAMIC	C1608 CH 1H 060B-T
C123	4030007000	S.CERAMIC	C1608 CH 1H 090D-T (G)
	4030007010	S.CERAMIC	C1608 CH 1H 100D-T (H)
C124	4030009520	S.CERAMIC	C1608 CH 1H 020B-T (G)
	4030011770	S.CERAMIC	C1608 CH 1H 060B-T (H)
C125	4030008210	S.CERAMIC	C1608 UJ 1H 060D-T
C126	4030007010	S.CERAMIC	C1608 CH 1H 100D-T
C127	4030009500	S.CERAMIC	C1608 CH 1H 0R5B-T (G)
	4030009910	S.CERAMIC	C1608 CH 1H 040B-T (H)
C128	4030008190	S.CERAMIC	C1608 UJ 1H 040C-T
C129	4030009500	S.CERAMIC	C1608 CH 1H 0R5B-T
C130	4030008920	S.CERAMIC	C1608 JB 1H 473K-T
C131	4030006860	S.CERAMIC	C1608 JB 1H 102K-T
C132	4030006860	S.CERAMIC	C1608 JB 1H 102K-T
C133	4540000040	S.TRIMMER	ECR-KN006 A61X
C134	4540000040	S.TRIMMER	ECR-KN006 A61X
C138	4030006860	S.CERAMIC	C1608 JB 1H 102K-T
C139	4030011600	S.CERAMIC	C1608 JB 1E 104K-T
C140	4030011600	S.CERAMIC	C1608 JB 1E 104K-T
C141	4030006860	S.CERAMIC	C1608 JB 1H 102K-T
C142	4030006860	S.CERAMIC	C1608 JB 1H 102K-T
C143	4030006860	S.CERAMIC	C1608 JB 1H 102K-T
C144	4030007090	S.CERAMIC	C1608 CH 1H 470J-T
C145	4030007090	S.CERAMIC	C1608 CH 1H 470J-T
C146	4550000530	S.TANTALUM	TESVA 1V 104M1-8L
C147	4550003220	S.TANTALUM	TEMSVA 1E 105M-8L
C148	4510004630	S.ELECTROLYTIC	ECEV1CA100SR
C151	4030011600	S.CERAMIC	C1608 JB 1E 104K-T
C152	4030007090	S.CERAMIC	C1608 CH 1H 470J-T
C153	4030007090	S.CERAMIC	C1608 CH 1H 470J-T
C154	4030007090	S.CERAMIC	C1608 CH 1H 470J-T
C155	4030007090	S.CERAMIC	C1608 CH 1H 470J-T

(A): 440-490 MHz for [F210] (B): 440-490 MHz for [F211] (C): 400-430 MHz for [F210] (D): 400-430 MHz for [F211] (E): [F221] and [F211]
 (F): [F210] (G): 440-490 MHz (H): 400-430 MHz (I): Wide/Narrow (J): Middle/Narrow (K): [F221]

S.=Surface mount

[MAIN UNIT]

REF NO.	ORDER NO.	DESCRIPTION	
C156	4030007090	S.CERAMIC	C1608 CH 1H 470J-T
C157	4030007130	S.CERAMIC	C1608 CH 1H 101J-T
C158	4030007130	S.CERAMIC	C1608 CH 1H 101J-T
C159	4030011600	S.CERAMIC	C1608 JB 1E 104K-T
C160	4030007000	S.CERAMIC	C1608 CH 1H 090D-T
C161	4030007130	S.CERAMIC	C1608 CH 1H 101J-T
C162	4030006900	S.CERAMIC	C1608 JB 1H 103K-T
C163	4510004630	S.ELECTROLYTIC	ECEV1CA100SR
C164	4030006860	S.CERAMIC	C1608 JB 1H 102K-T
C167	4030011600	S.CERAMIC	C1608 JB 1E 104K-T
C168	4030008920	S.CERAMIC	C1608 JB 1H 473K-T
C169	4030008920	S.CERAMIC	C1608 JB 1H 473K-T
C170	4030006860	S.CERAMIC	C1608 JB 1H 102K-T
C172	4030009630	S.CERAMIC	C1608 JB 1H 822K-T
C173	4030011600	S.CERAMIC	C1608 JB 1E 104K-T
C174	4510004630	S.ELECTROLYTIC	ECEV1CA100SR
C175	4030006860	S.CERAMIC	C1608 JB 1H 102K-T
C177	4030008770	S.CERAMIC	C1608 JB 1H 562K-T
C178	4030007120	S.CERAMIC	C1608 CH 1H 820J-T
C179	4030008860	S.CERAMIC	C1608 JB 1H 153K-T
C180	4510004640	S.ELECTROLYTIC	ECEV1CA470SP
C181	4030011600	S.CERAMIC	C1608 JB 1E 104K-T
C182	4030008650	S.CERAMIC	C1608 JB 1H 332K-T
C183	4030011600	S.CERAMIC	C1608 JB 1E 104K-T
C184	4030006860	S.CERAMIC	C1608 JB 1H 102K-T
C185	4030006860	S.CERAMIC	C1608 JB 1H 102K-T
C200	4030011600	S.CERAMIC	C1608 JB 1E 104K-T
C201	4030011600	S.CERAMIC	C1608 JB 1E 104K-T
C202	4030011600	S.CERAMIC	C1608 JB 1E 104K-T
C203	4030011600	S.CERAMIC	C1608 JB 1E 104K-T
C204	4030007090	S.CERAMIC	C1608 CH 1H 470J-T
C207	4030006860	S.CERAMIC	C1608 JB 1H 102K-T
C208	4030006860	S.CERAMIC	C1608 JB 1H 102K-T
C209	4030006860	S.CERAMIC	C1608 JB 1H 102K-T
C210	4030006860	S.CERAMIC	C1608 JB 1H 102K-T
C241	4030011050	S.CERAMIC	GRM31M3C2H3R0CY21L (GRM42-6 CJ) (E) only
C242	4030011050	S.CERAMIC	GRM31M3C2H3R0CY21L (GRM42-6 CJ) (E) only
C243	4030006880	S.CERAMIC	C1608 JB 1H 472K-T
C244	4030017480	S.CERAMIC	C1608 JB 1A 474K-T
C245	4030011600	S.CERAMIC	C1608 JB 1E 104K-T
C246	4030011600	S.CERAMIC	C1608 JB 1E 104K-T
C248	4030006860	S.CERAMIC	C1608 JB 1H 102K-T
C249	4030006870	S.CERAMIC	C1608 JB 1H 222K-T
C250	4030011600	S.CERAMIC	C1608 JB 1E 104K-T
C251	4030008920	S.CERAMIC	C1608 JB 1H 473K-T
C252	4030011600	S.CERAMIC	C1608 JB 1E 104K-T
C253	4030008880	S.CERAMIC	C1608 JB 1H 223K-T
C254	4030006860	S.CERAMIC	C1608 JB 1H 102K-T
C255	4510008030	S.ELECTROLYTIC	ECEV1EA471P
C256	4510006260	S.ELECTROLYTIC	ECEV1AA471UP
C258	4510008030	S.ELECTROLYTIC	ECEV1EA471P
C259	4030006860	S.CERAMIC	C1608 JB 1H 102K-T
C260	4030007090	S.CERAMIC	C1608 CH 1H 470J-T
C261	4030004760	S.CERAMIC	C2012 JF 1H 104Z-T
C262	4030011600	S.CERAMIC	C1608 JB 1E 104K-T
C263	4030004760	S.CERAMIC	C2012 JF 1H 104Z-T
C264	4030011600	S.CERAMIC	C1608 JB 1E 104K-T
C266	4510004630	S.ELECTROLYTIC	ECEV1CA100SR
C268	4550006700	S.TANTALUM	ECST1AY106R
C269	4030006860	S.CERAMIC	C1608 JB 1H 102K-T
C270	4030006860	S.CERAMIC	C1608 JB 1H 102K-T
C271	4510004630	S.ELECTROLYTIC	ECEV1CA100SR
C272	4510004630	S.ELECTROLYTIC	ECEV1CA100SR
C273	4030006860	S.CERAMIC	C1608 JB 1H 102K-T
C274	4510004630	S.ELECTROLYTIC	ECEV1CA100SR
C275	4030006860	S.CERAMIC	C1608 JB 1H 102K-T
C276	4030006860	S.CERAMIC	C1608 JB 1H 102K-T
C280	4030006900	S.CERAMIC	C1608 JB 1H 103K-T
C282	4030011600	S.CERAMIC	C1608 JB 1E 104K-T
C283	4030006860	S.CERAMIC	C1608 JB 1H 102K-T
C286	4030006900	S.CERAMIC	C1608 JB 1H 103K-T
C287	4030006860	S.CERAMIC	C1608 JB 1H 102K-T
C288	4030016930	S.CERAMIC	ECJ0EB1A104K
C289	4030016930	S.CERAMIC	ECJ0EB1A104K
C290	4030017460	S.CERAMIC	ECJ0EB1E102K
C291	4030017460	S.CERAMIC	ECJ0EB1E102K

[MAIN UNIT]

REF NO.	ORDER NO.	DESCRIPTION	
C292	4030017420	S.CERAMIC	ECJ0EC1H470J
C293	4030017460	S.CERAMIC	ECJ0EB1E102K
C294	4030017460	S.CERAMIC	ECJ0EB1E102K
C295	4510004630	S.ELECTROLYTIC	ECEV1CA100SR
C297	4030007010	S.CERAMIC	C1608 CH 1H 100D-T
C298	4030006980	S.CERAMIC	C1608 CH 1H 070D-T
C299	4030006980	S.CERAMIC	C1608 CH 1H 070D-T
C301	4030006850	S.CERAMIC	C1608 JB 1H 471K-T
C302	4030009910	S.CERAMIC	C1608 CH 1H 040B-T
C303	4030006860	S.CERAMIC	C1608 JB 1H 102K-T
C304	4030007010	S.CERAMIC	C1608 CH 1H 100D-T
C305	4030007100	S.CERAMIC	C1608 CH 1H 560J-T
C306	4030009910	S.CERAMIC	C1608 CH 1H 040B-T
C307	4030006980	S.CERAMIC	C1608 CH 1H 070D-T
C308	4030009530	S.CERAMIC	C1608 CH 1H 030B-T
C309	4030006900	S.CERAMIC	C1608 JB 1H 103K-T
C310	4030006860	S.CERAMIC	C1608 JB 1H 102K-T
C311	4030006860	S.CERAMIC	C1608 JB 1H 102K-T
C314	4030006900	S.CERAMIC	C1608 JB 1H 103K-T
C315	4030008880	S.CERAMIC	C1608 JB 1H 223K-T
C316	4030009490	S.CERAMIC	C1608 JB 1H 821K-T
C317	4030009490	S.CERAMIC	C1608 JB 1H 821K-T
C318	4030011600	S.CERAMIC	C1608 JB 1E 104K-T
C319	4030008920	S.CERAMIC	C1608 JB 1H 473K-T
C320	4030008910	S.CERAMIC	C1608 JB 1H 393K-T
C321	4030011600	S.CERAMIC	C1608 JB 1E 104K-T
C322	4030006900	S.CERAMIC	C1608 JB 1H 103K-T
C324	4030011340	S.CERAMIC	C1608 CH 1H 471J-T
C325	4030006860	S.CERAMIC	C1608 JB 1H 102K-T
C327	4510004630	S.ELECTROLYTIC	ECEV1CA100SR
C328	4030007090	S.CERAMIC	C1608 CH 1H 470J-T
C329	4030006860	S.CERAMIC	C1608 JB 1H 102K-T
C331	4030009500	S.CERAMIC	C1608 CH 1H 0R5B-T
C333	4030007090	S.CERAMIC	C1608 CH 1H 470J-T
C334	4030006980	S.CERAMIC	C1608 CH 1H 070D-T
C335	4030007020	S.CERAMIC	C1608 CH 1H 120J-T
C336	4030007050	S.CERAMIC	C1608 CH 1H 220J-T
C337	4030006860	S.CERAMIC	C1608 JB 1H 102K-T
C339	4030009510	S.CERAMIC	C1608 CH 1H 010B-T
C342	4550002890	S.TANTALUM	TESVA 1A 225M1-8L
C343	4030006860	S.CERAMIC	C1608 JB 1H 102K-T
C344	4030006860	S.CERAMIC	C1608 JB 1H 102K-T
C345	4030011340	S.CERAMIC	C1608 CH 1H 471J-T
C346	4030007090	S.CERAMIC	C1608 CH 1H 470J-T
C348	4030006860	S.CERAMIC	C1608 JB 1H 102K-T
C349	4030011600	S.CERAMIC	C1608 JB 1E 104K-T
C350	4030017490	S.CERAMIC	C1608 JB 1A 105K-T
C351	4030008920	S.CERAMIC	C1608 JB 1H 473K-T
C352	4510005750	S.ELECTROLYTIC	ECEV1EA220SP
C357	4030011600	S.CERAMIC	C1608 JB 1E 104K-T
C359	4030017490	S.CERAMIC	C1608 JB 1A 105K-T
C360	4030006860	S.CERAMIC	C1608 JB 1H 102K-T
C361	4030011340	S.CERAMIC	C1608 CH 1H 471J-T
C362	4030007090	S.CERAMIC	C1608 CH 1H 470J-T
C363	4030006980	S.CERAMIC	C1608 CH 1H 070D-T
C364	4030006980	S.CERAMIC	C1608 CH 1H 070D-T
C365	4030011600	S.CERAMIC	C1608 JB 1E 104K-T
C366	4030011600	S.CERAMIC	C1608 JB 1E 104K-T
C367	4030009540	S.CERAMIC	C1608 CH 1H 1R5B-T
C370	4030009520	S.CERAMIC	C1608 CH 1H 020B-T
C372	4030009540	S.CERAMIC	C1608 CH 1H 1R5B-T
C373	4030007110	S.CERAMIC	C1608 CH 1H 680J-T
C374	4030011600	S.CERAMIC	C1608 JB 1E 104K-T
C375	4030007080	S.CERAMIC	C1608 CH 1H 390J-T
C376	4030007160	S.CERAMIC	C1608 CH 1H 181J-T
C377	4030007160	S.CERAMIC	C1608 CH 1H 181J-T
C378	4030017670	S.CERAMIC	ECJ0EC1H390J
C379	4030017670	S.CERAMIC	ECJ0EC1H390J
C380	4030017670	S.CERAMIC	ECJ0EC1H390J
C381	4030007160	S.CERAMIC	C1608 CH 1H 181J-T
C382	4030007080	S.CERAMIC	C1608 CH 1H 390J-T
C383	4030007050	S.CERAMIC	C1608 CH 1H 220J-T
C384	4030007020	S.CERAMIC	C1608 CH 1H 120J-T
C385	4030006980	S.CERAMIC	C1608 CH 1H 070D-T
C386	4030007160	S.CERAMIC	C1608 CH 1H 181J-T
C387	4030007160	S.CERAMIC	C1608 CH 1H 181J-T

(A): 440-490 MHz for [F210] (B): 440-490 MHz for [F211] (C): 400-430 MHz for [F210] (D): 400-430 MHz for [F211] (E): [F221] and [F211]
 (F): [F210] (G): 440-490 MHz (H): 400-430 MHz (I): Wide/Narrow (J): Middle/Narrow (K): [F221]

S.=Surface mount

[MAIN UNIT]

REF NO.	ORDER NO.	DESCRIPTION	
C388	4030007160	S.CERAMIC	C1608 CH 1H 181J-T
C389	4030011770	S.CERAMIC	C1608 CH 1H 060B-T
C390	4030017460	S.CERAMIC	ECJ0EB1E102K
C391	4030017420	S.CERAMIC	ECJ0EC1H470J
C392	4030006860	S.CERAMIC	C1608 JB 1H 102K-T
C393	4030009560	S.CERAMIC	C1608 CH 1H R75B-T
	4030009910	S.CERAMIC	C1608 CH 1H 040B-T
C394	4030008770	S.CERAMIC	C1608 JB 1H 562K-T
J1	6510018430	S.CONNECTOR	AXN330C038P
J2	6510022470	S.CONNECTOR	40FLT-SM1-TB
J4	6450000140	CONNECTOR	HSJ0807-01-010
J6	6510019250	S.CONNECTOR	B11B-ZR-SM3-TF
J7	6510014960	S.CONNECTOR	B2B-ZR-SM3-TF
W1	7120000470	JUMPER	ERDS2T0
W2	8900011861	CABLE	OPC-1195A <CMI>
W3	7030000010	S.JUMPER	MCR10EZHJ JPW (000)
W4	7030003860	S.JUMPER	ERJ3GE JPW V
W5	7030010040	S.JUMPER	ERJ2GE-JPW
EP1	6910013370	S.BEAD	BLM18BB221SN1D (BLM11B221SB)
EP3	6910011560	BEAD	HF70BB4.5X5X1.6
EP4	6910010280	BEAD	HF70BB9.5X10.4X4.9
EP5	6910010280	BEAD	HF70BB9.5X10.4X4.9
EP6	0910056213	PCB	B 5932C

Ⓒ
Ⓓ

Ⓐ: 440-490 MHz for [F210] Ⓑ: 440-490 MHz for [F211] Ⓒ: 400-430 MHz for [F210] Ⓓ: 400-430 MHz for [F211] Ⓔ: [F221] and [F211]
 Ⓕ: [F210] Ⓖ: 440-490 MHz Ⓗ: 400-430 MHz Ⓘ: Wide/Narrow Ⓙ: Middle/Narrow Ⓚ: [F221]

S.=Surface mount

SECTION 7 MECHANICAL PARTS AND DISASSEMBLY

[CHASSIS PARTS]

REF. NO.	ORDER NO.	DESCRIPTION	QTY.
J1	6510004880	Connector MR-DS-E 01	1
MP1	8010019060	2601 chassis [25W]	1
	8010019130	2601 long chassis [45W]	1
MP2	8110007820	2601 cover	1
MP3	8210019340	2622 front panel	1
MP4	8930059010	2622 keyboard	1
MP5	8930059090	2622 LCD plate	1
MP6	8210019350	2622 reflector	1
MP7	8610011180	Knob N292	1
MP9	8810008660	Screw PH BT M3 × 8 NI-ZU	8
MP10	8810008660	Screw PH BT M3 × 8 NI-ZU	2
MP11	8810008660	Screw PH BT M3 × 8 NI-ZU	2
MP12	8810008760	Screw PH BT M3 × 8 NI-ZU	3
MP13	8810008660	Screw PH BT M3 × 8 NI-ZU	1
MP14	8810009990	Screw PH BT M3 × 8 ZK	4
MP15	8810009990	Screw PH BT M3 × 8 ZK	2
MP16	8930059100	2622 LCD filter	1
MP17	8930059000	2601 SP net	1
MP18	8930058990	Shield sponge (V) [25W] only	2

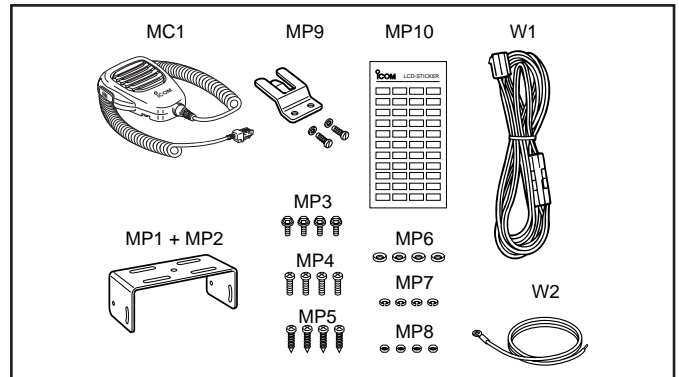
[ACCESSORIES]

REF. NO.	ORDER NO.	DESCRIPTION	QTY.
MC1	800005780	Microphone HM-100N	1
W1	8900010990	Cable OPC-1132 [45W]	1
	8900011780	Cable OPC-1194 [25W]	1
W2	8900000730	Cable OPC-049	1
MP1	8010019151	2601 mobil bracket-1	1
MP2	8930059160	2601 felt	2
MP3	8820000530	Flange bolt M4 × 8 NI	4
MP4	8810000470	Screw PH M5 × 12 (+-)	4
MP5	8810005840	Screw PH A M5 × 20	4
MP6	8850000150	Flat washer M5 NI BS	4
MP7	8850000390	Spring washer M5	4
MP8	8830000120	Nut M5	4
MP9	6910004210	731 mic hanger set	1
MP10	8310054770	1705 LCD seal (F)	1

Screw abbreviations A,BT: Self-tapping PH: Pan head
 ZK: Black BS: Brass
 NI: Nickel NI-ZU: Nickel-Zinc

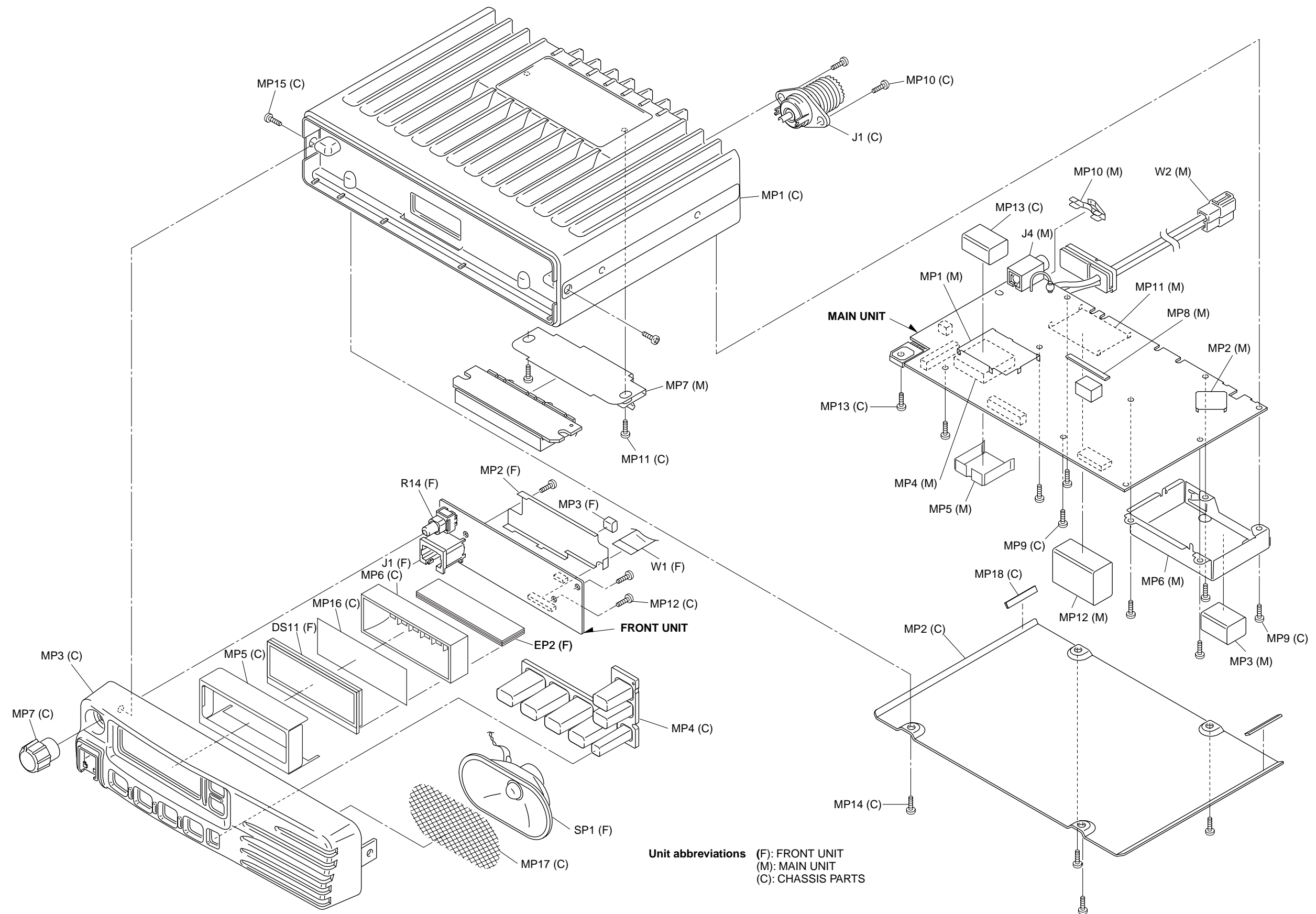
[FRONT UNIT]

REF. NO.	ORDER NO.	DESCRIPTION	QTY.
R14	7210003020	Variable resistor EVU-F2KFK1 B14	1
SP1	2510001220	Speaker C052SB500-13	1
J1	6450002210	Connector 3017-8821	1
W1	8900010500	Cable OPC-1046	1
DS11	5030002510	LCD L2-0607TAY	1
EP2	8930059170	LCD contact SRCN-2622-SP-N-W	1
MP2	8510015290	2623 F-shield	1
MP3	8930058840	Shield sponge (T)	1



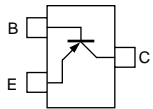
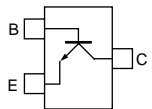
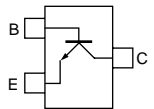
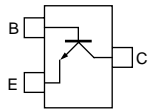
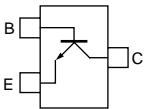
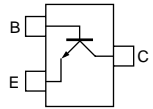
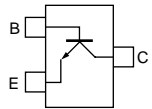
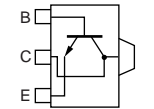
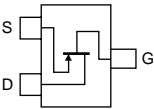
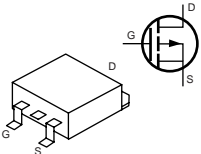
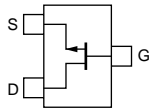
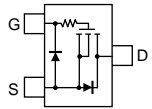
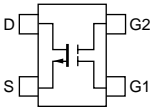
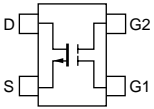
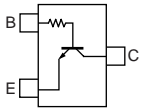
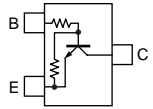
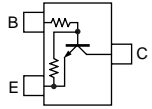
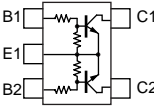
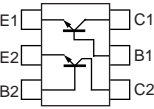
[MAIN UNIT]

REF. NO.	ORDER NO.	DESCRIPTION	QTY.
J4	6450000140	Connector HSJ0807-01-010	1
W2	8900011861	Cable OPC-1195A	1
MP1	8510005070	599 shield plate	1
MP2	8510011230	1923 VCO shield [25W] only	1
MP3	8930058840	Shield sponge (T)	1
MP4	8510014940	2601 VCO case	1
MP5	8510014950	2601 VCO cover	1
MP6	8510014910	2601 filter case	1
MP7	8510015110	2602 M-plate	1
MP8	8930058990	Shield sponge (V)	1
MP10	8930059490	2602 spring [25W] only	1
MP11	8510000210	194 shield plate [25W] only	1
MP12	8930059390	Shield sponge (Y) [25W] only	1
MP13	8930058840	Shield sponge (T)	1


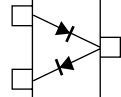
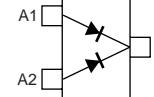
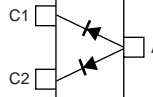
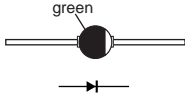


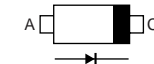
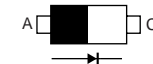


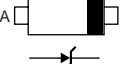
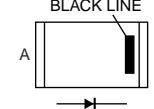



SECTION 8 SEMI-CONDUCTOR INFORMATION

• TRANSISTORS AND FET'S

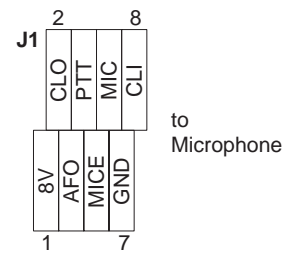
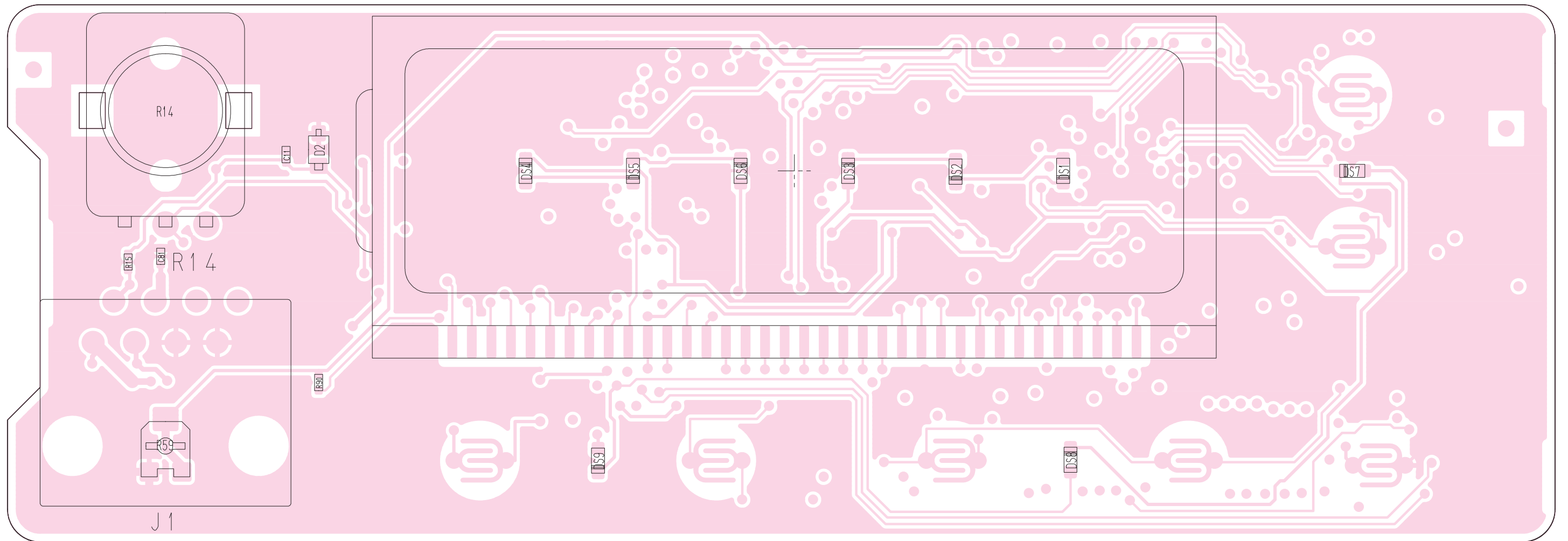
2SA1577 T106 Q (Symbol: HQ) 	2SC3356 T1B R25 (Symbol: R25) 	2SC4116 BL (Symbol: LL) 	2SC4213 B (Symbol: AB) 	2SC4215 O (Symbol: QO) 
2SC4226 T1 R25 (Symbol: R25) 	2SC5107 O (Symbol: MFO) 	2SD1664 T100Q (Symbol: DAQ) 	2SJ144 GR (Symbol: VG) 	2SJ377 (Symbol: 4L) 
2SK880 Y (Symbol: XY) 	2SK1829 (Symbol: K1) 	3SK293 (Symbol: UF) 	3SK299 T1 U73 (Symbol: U73) 	DTC114TUA T106 (Symbol: 04) 
DTC144EUA T106 (Symbol: 26) 	DTC363 EK (Symbol: H27) 	XP1214 (Symbol: 9H) 	XP6501 AB (Symbol: 5N) 	

• DIODES

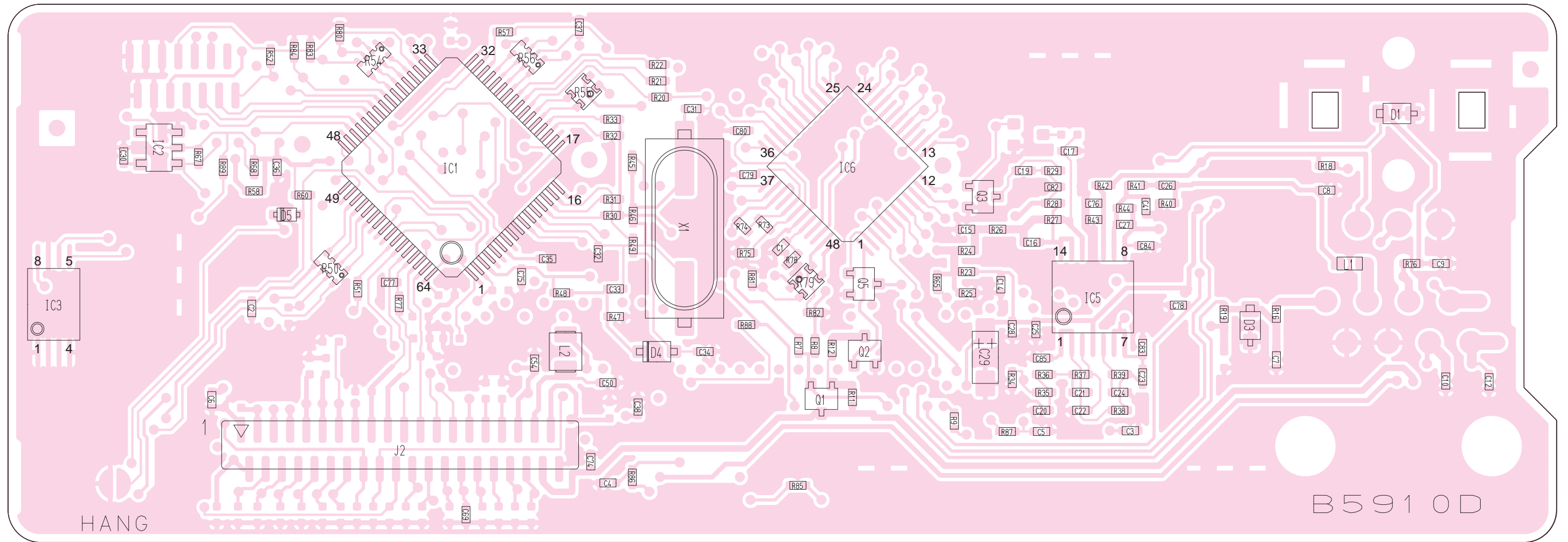
1SV307 (Symbol: TX) 	DA221 TL (Symbol: K) 	DAN222TL (Symbol: N) 	DAP222 (Symbol: P) 	DSA3A1 (Symbol: Green) 
HVC350B (Symbol: B0) 	HVC362 (Symbol: V2) 	MA2S111 (Symbol: A) 	MA77 (Symbol: 4B) 	MA368 (Symbol: 6L) 
MA728 (Symbol: 2A) 	MA8056 M (Symbol: 5-6) 	UM9401F (Symbol: none) 	XB15A407 	

SECTION 9 BOARD LAYOUTS

9-1 FRONT UNIT • TOP VIEW



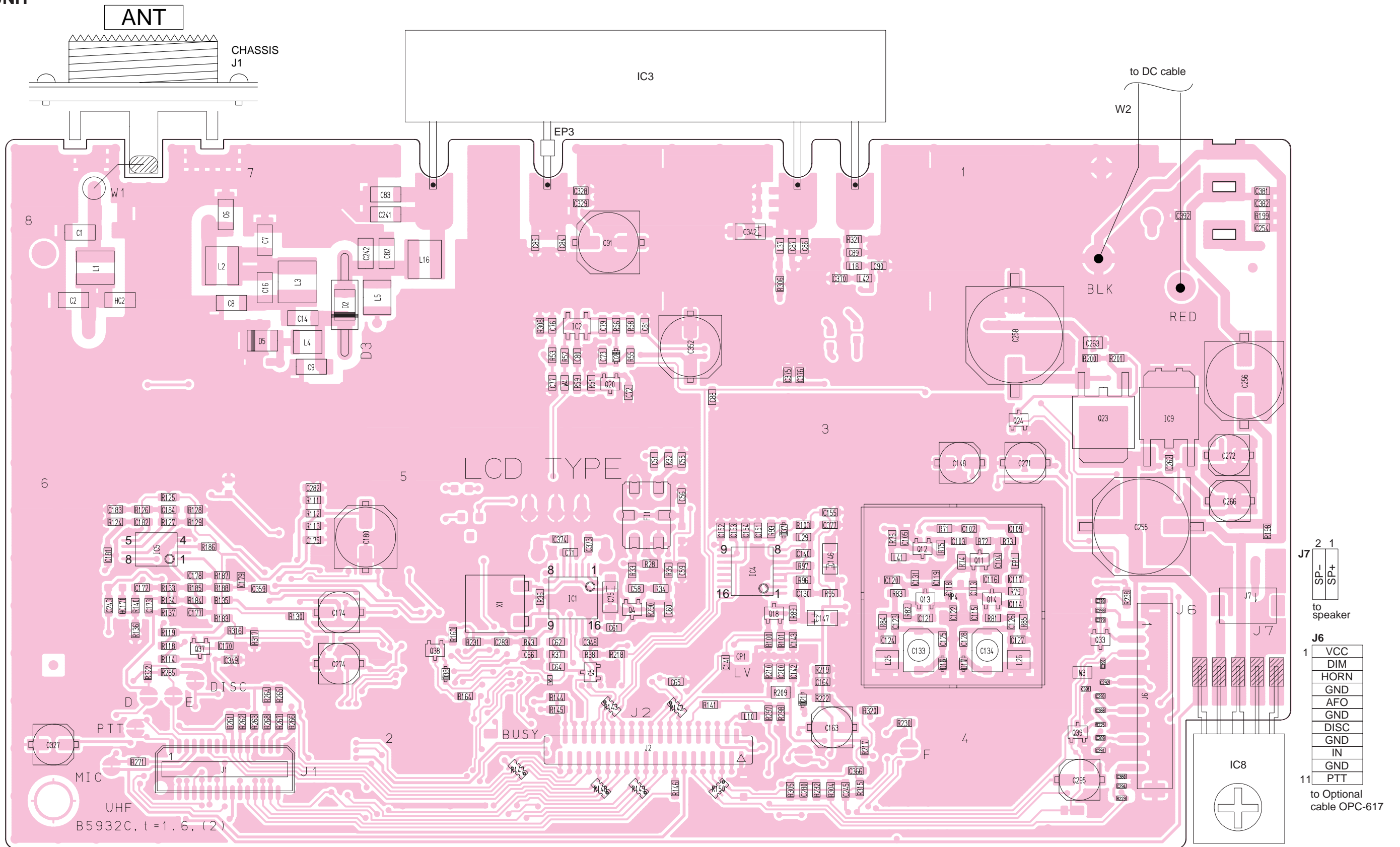
• BOTTOM VIEW (FRONT UNIT)



1	GND	DIM	2
2	tone	DAST	3
3	TENC	OPT3	4
4	NOIS	OPT2	5
5	EXOE	OPT1	6
6	EXST	PTTO	7
7	UNLK	PTTI	8
8	PLST	REM	9
9	CDEC	SCK	10
10	SDEC	IS	11
11	OV12	SO	12
12	RSSI	CIRQ	13
13	LVIN	CCS	14
14	TEMP	MIC	15
15	BATV	EPTT	16
16	NC	NC	17
17	NC	BEEP	18
18	5V	PWON	19
19	CPU5	8V	20
20	AFO	GND	21
39			40

to MAIN unit J2

9-2 MAIN UNIT
• TOP VIEW



J1

1	PTTI	15
2	PTTO	
3	MCOT	
4	MCIN	
5	NC	
6	AFONO	
7	BEEPO	
8	BUSY	
9	NC	
10	DET	
11	SIGO	
12	OPT1	
13	NC	
14	OPT2	
15	OPT3	
16	CCS	
17	CIRQ	
18	GND	
19	SO	
20	OPV3	
21	SI	
22	OPV2	
23	SCK	
24	OPV1	
25		
26		
27		
28		
29		
30	GND	

to Optional unit

J2

40	GND	2
39	DIM	
38	TONE	
37	TENC	
36	DAST	
35	RMUT	
34	NOIS	
33	NWC	
32	MMUT	
31	OPT3	
30	OPT2	
29	OPT1	
28	BUSY	
27	SCK	
26	SI	
25	SDEC	
24	SO	
23	OV12	
22	CIRQ	
21	CCS	
20	MIC	
19	BATV	
18	LVIN	
17	RSSI	
16	TEMP	
15	EPTT	
14	RXC	
13	HORNO	
12	BEEP	
11	PWON	
10	5V	
9	CPU5	
8	8V	
7	AFO	
6	GND	

to FRONT unit J2

J7

2	SP
1	GND
1	+S

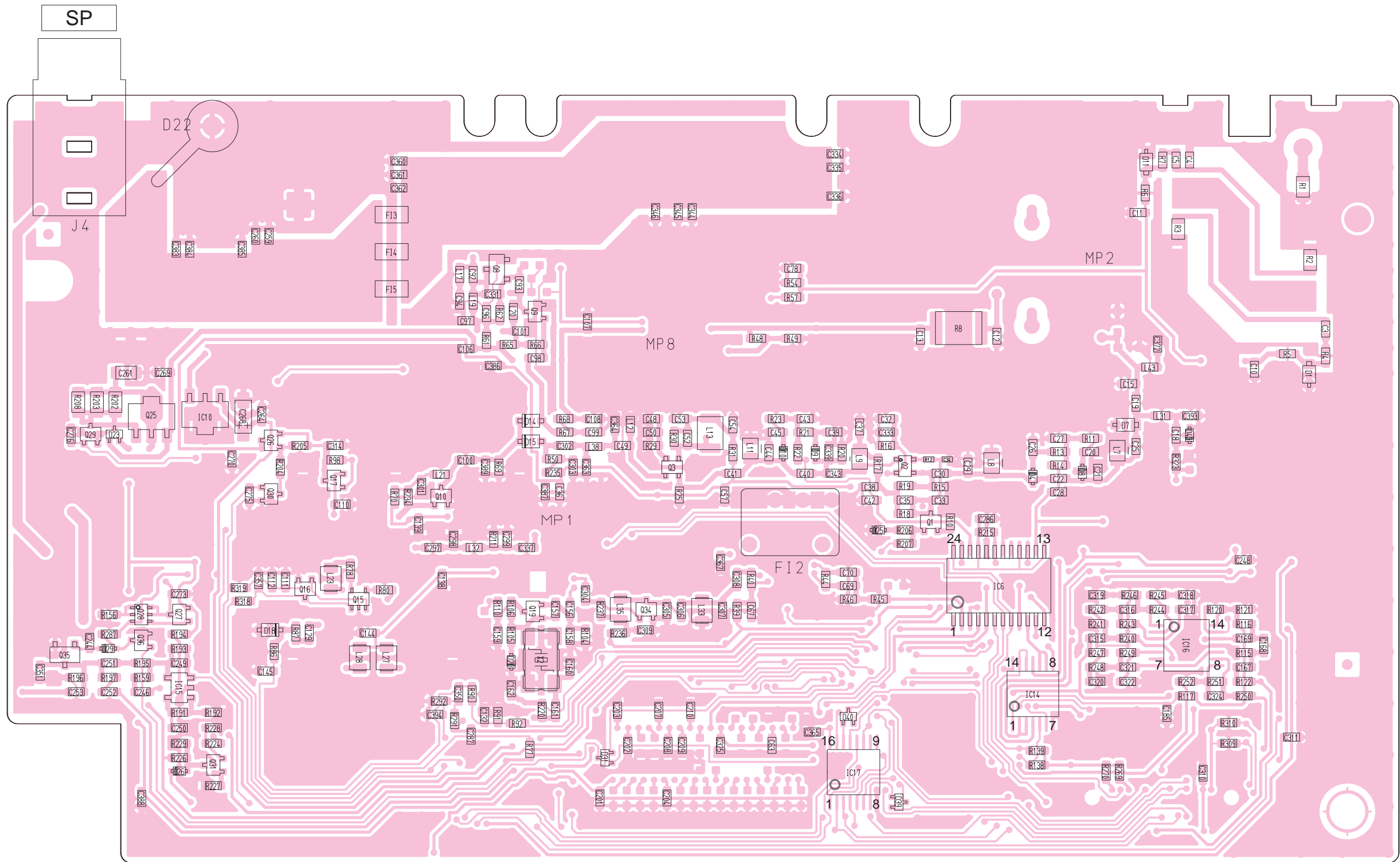
to speaker

J6

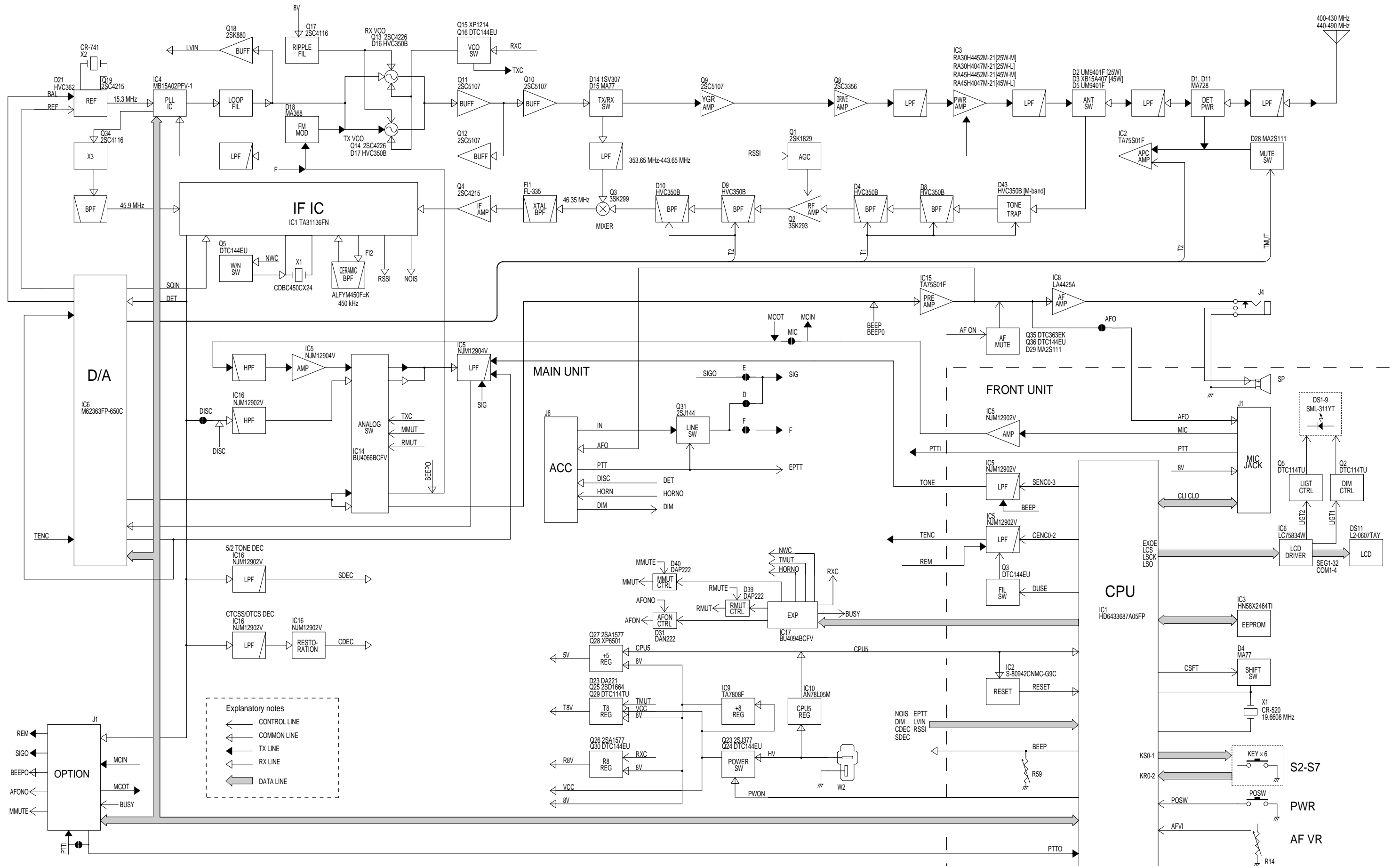
1	VCC
2	DIM
3	HORN
4	GND
5	AFO
6	GND
7	DISC
8	GND
9	IN
10	GND
11	PTT

to Optional cable OPC-617

• BOTTOM VIEW (MAIN UNIT)

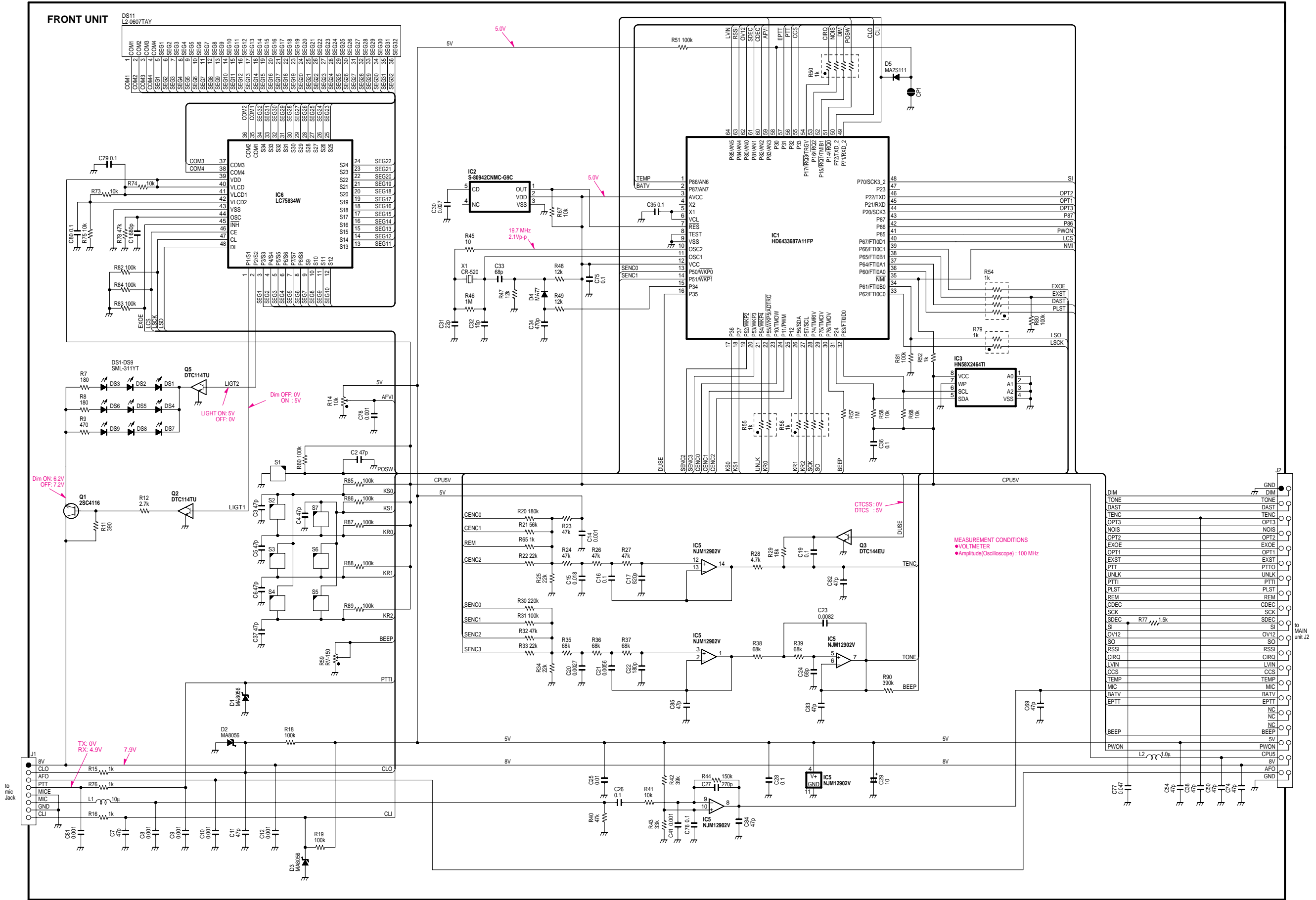


SECTION 10 BLOCK DIAGRAM

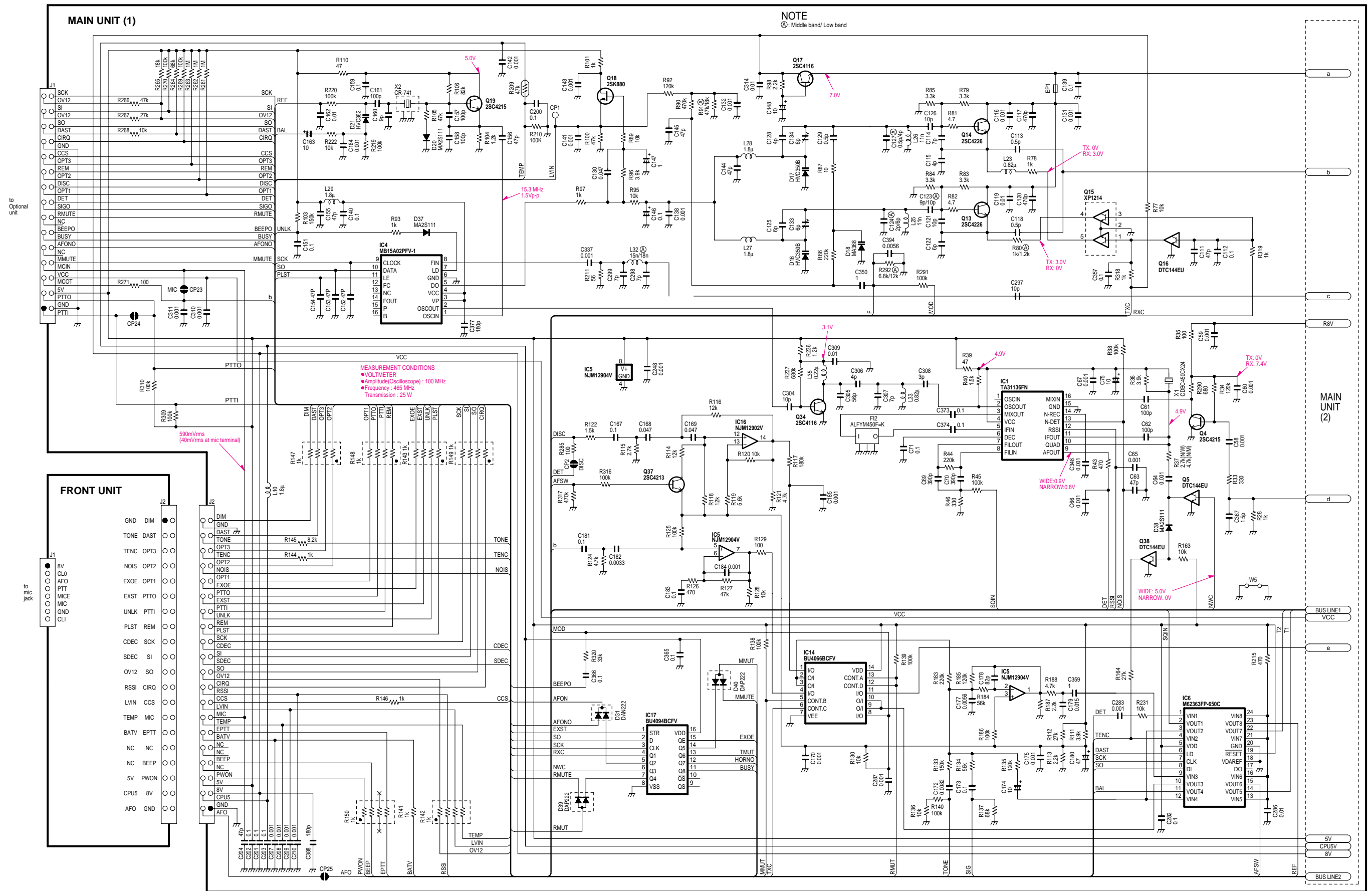


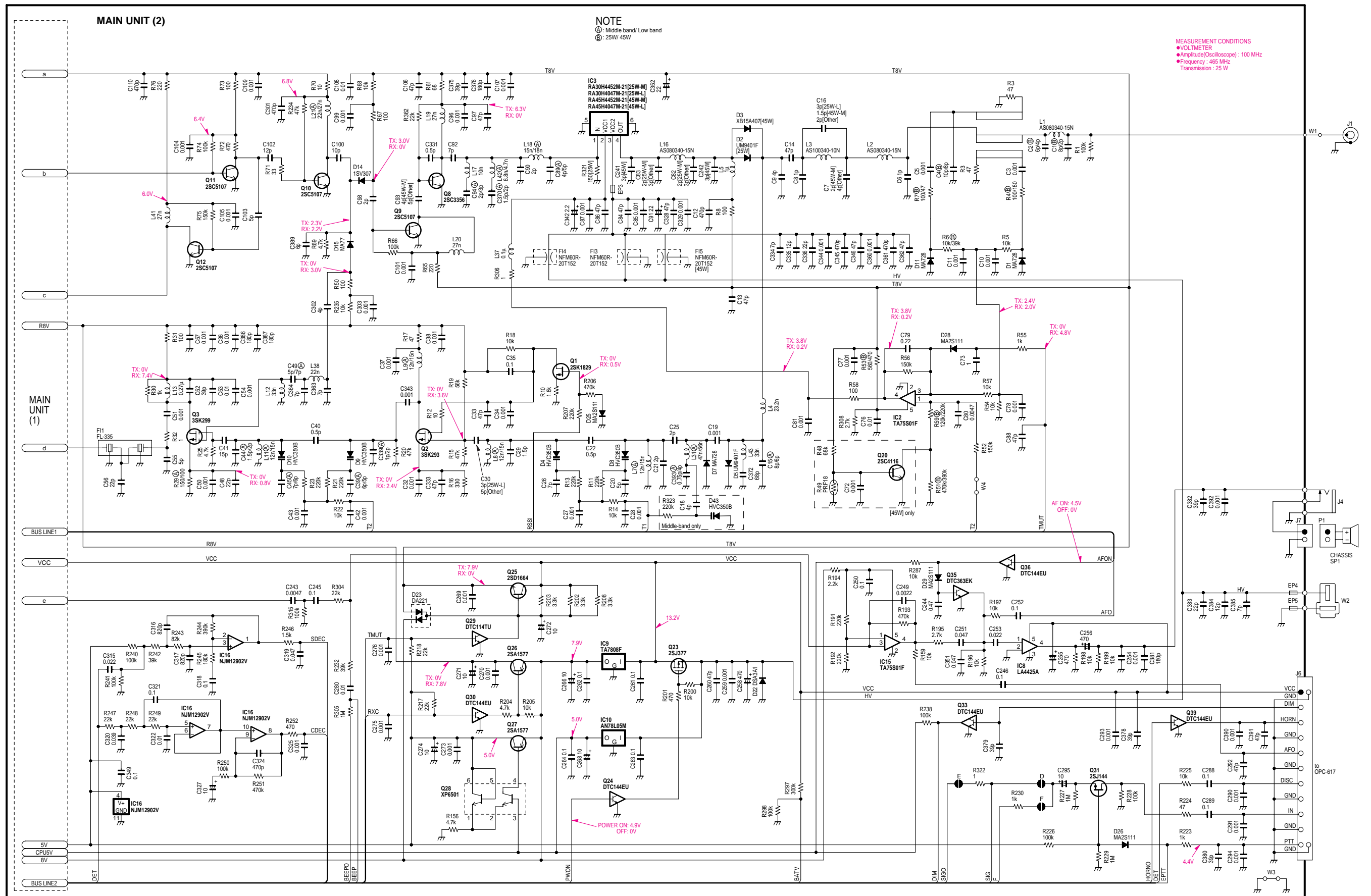
SECTION 11 VOLTAGE DIAGRAMS

11-1 FRONT UNIT



11-2 MAIN UNIT





NOTE
 (A): Middle band/ Low band
 (B): 25W/ 45W

MEASUREMENT CONDITIONS
 • VOLT METER
 • Amplitude (Oscilloscope): 100 MHz
 • Frequency: 465 MHz
 • Transmission: 25 W

MAIN UNIT (2)
 MAIN UNIT (1)
 BUS LINE1
 VCC
 BUS LINE2
 5V
 CPU5V
 8V
 DET
 BEEP0
 BEEP1
 DIM
 SIG
 SIGO
 SIGL
 HORN
 GND
 AFO
 GND
 DISC
 GND
 IN
 GND
 PTT
 GND
 W1
 W2
 W3

Icom Inc.

1-1-32, Kamiminami, Hirano-ku, Osaka 547-0003, Japan
Phone : +81 (06) 6793 5302
Fax : +81 (06) 6793 0013
URL : <http://www.icom.co.jp/world/index.html>

Icom America Inc.

<Corporate Headquarters>
2380 116th Avenue N.E., Bellevue, WA 98004, U.S.A.
Phone : +1 (425) 454-8155 Fax : +1 (425) 454-1509
URL : <http://www.icomamerica.com>
E-mail : sales@icomamerica.com
<Customer Service>
Phone : +1 (425) 454-7619

Icom Canada

Glenwood Centre #150-6165
Highway 17 Delta, B.C., V4K 5B8, Canada
Phone : +1 (604) 952-4266 Fax : +1 (604) 952-0090
URL : <http://www.icomcanada.com>
E-mail : info@icomcanada.com

Icom (Australia) Pty. Ltd.

Unit 1 / 103 Garden Road, Clayton VIC 3168 Australia
Phone : +61 (03) 9549-7500 Fax : +61 (03) 9549-7505
URL : <http://www.icom.net.au>
E-mail : sales@icom.net.au

Icom New Zealand

146A Harris Road, East Tamaki,
Auckland, New Zealand
Phone : +64 (09) 274 4062 Fax : +64 (09) 274 4708
URL : <http://www.icom.co.nz>
E-mail : inquiries@icom.co.nz

Beijing Icom Ltd.

Room C01, 10th Floor, Long Silver Mansion, No. 88,
Yong Ding Road, Haidian District, Beijing, 100039, China
Phone : +86 (010) 5889 4250 Fax : +86 (010) 5889 4250
URL : <http://www.bjicom.com>
E-mail : bjicom@bjicom.com

Icom (Europe) GmbH

Communication Equipment
Himmelgeister Str. 100, D-40225 Düsseldorf, Germany
Phone : +49 (0211) 346047 Fax : +49 (0211) 333639
URL : <http://www.icomeurope.com>
E-mail : info@icomeurope.com

Icom Spain S.L

Ctra. Rubi, 88, 08190, Sant Cugat del Valles, Barcelona, SPAIN
Phone : +34 (93) 590 26 70 Fax : +34 (93) 589 04 46
URL : <http://www.icomspain.com>
E-mail : icom@icomspain.com

Icom (UK) Ltd.

Unit 9, Sea St., Herne Bay, Kent, CT6 8LD, U.K.
Phone : +44 (01227) 741741 Fax : +44 (01227) 741742
URL : <http://www.icomuk.co.uk>
E-mail : info@icomuk.co.uk

Icom France s.a.s.

Zac de la Plaine
1 Rue Brindejonec des Moulinais BP 5804
31505 Toulouse Cedex, France
Phone : +33 (5) 61 36 03 03 Fax : +33 (5) 61 36 03 00
URL : <http://www.icom-france.com>
E-mail : icom@icom-france.com

Asia Icom Inc.

6F No.68, Sec. 1 Cheng-Teh Road, Taipei, Taiwan, R.O.C.
Phone : +886 (02) 2559 1899 Fax : +886 (02) 2559 1874
URL : <http://www.asia-icom.com>
E-mail : sales@asia-icom.com

Icom Polska

Sopot, 3 Maja 54 Poland
Phone : +48 (58) 550 7135 Fax : +48 (58) 551 0484
E-mail : icompolaska@icompolaska.com.pl

Count on us!

Icom Inc.

1-1-32, Kamiminami, Hirano-ku, Osaka 547-0003, Japan

S-13906HZ-C1U-①

© 2003 Icom Inc.